

PARTS LIST

[UX-V50V]
[UX-V50GN]

* All printed circuit boards and its assemblies are not available as service parts.

UX-V50V
Area suffix
UN -----Indonesia.

UX-V50GN
Area suffix
UF -----China.
UN -----Indonesia.

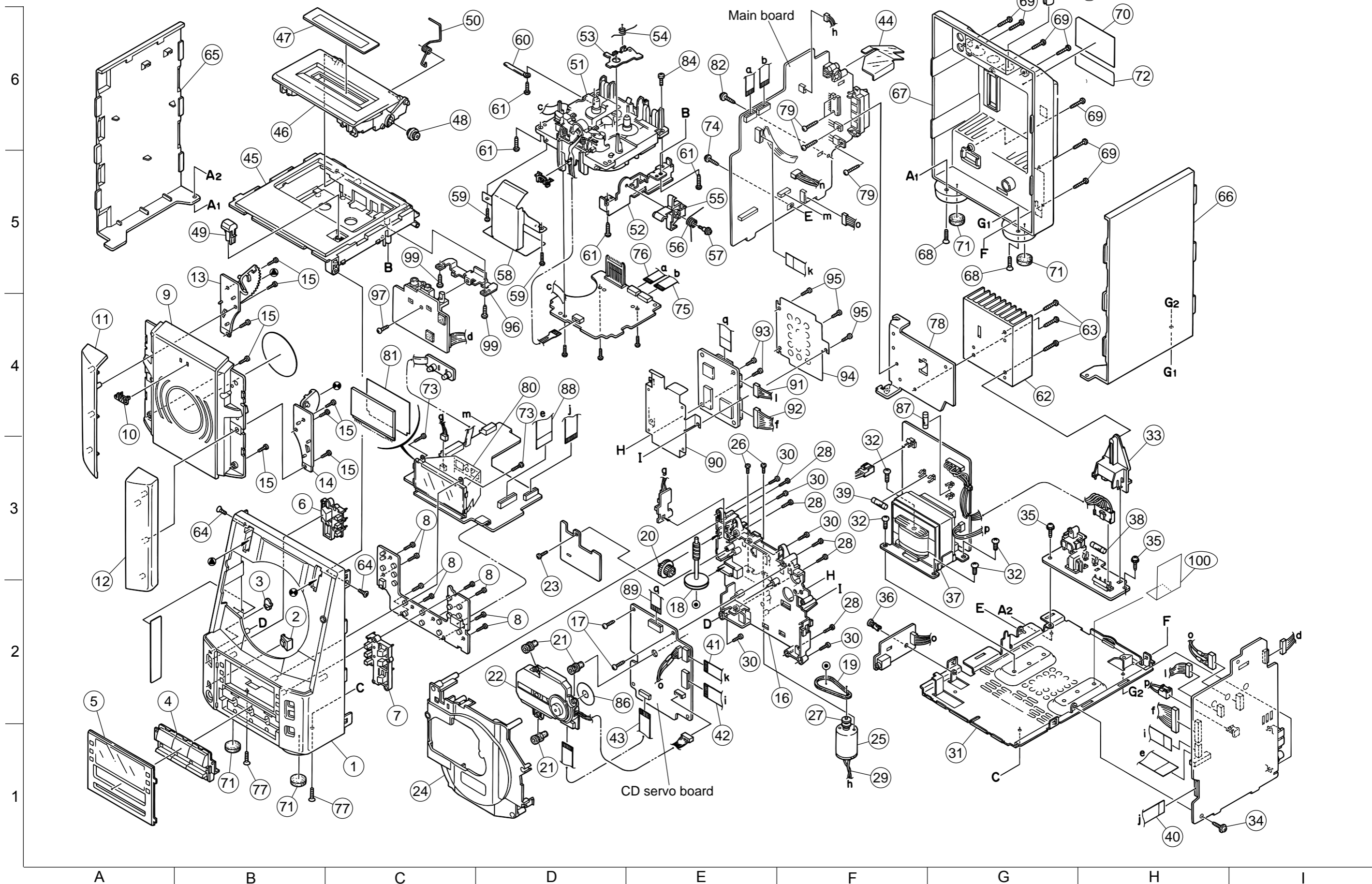
- Contents -

| | |
|--|------|
| Exploded view of general assembly and parts list | 3- 3 |
| Electrical parts list | 3-11 |
| Packing materials and accessories parts list | 3-23 |

<<MEMO>>

Exploded view of general assembly and parts list

Block No. M 1 M M



■ Parts list (General assembly)

Block No. M1MM

| △ | Item | Parts number | Parts name | Q'ty | Description | Area |
|---|------|---------------|-----------------|------|-----------------|------|
| | 1 | GV10020-020A | FRONT PANEL | 1 | UX-V50V | |
| | | GV10020-016A | FRONT PANEL | 1 | UX-V50GN | |
| | 2 | GV40067-001A | REMOTE LENS | 1 | | |
| | 3 | GV40068-001A | STANDBY LENS | 1 | | |
| | 4 | GV30060-005A | FRONT BUTTON | 1 | UX-V50GN | |
| | | GV30060-002A | FRONT BUTTON | 1 | UX-V50V | |
| | 5 | GV40116-003A | FRONT LENS | 1 | UX-V50V | |
| | | GV40116-005A | FRONT LENS | 1 | UX-V50GN | |
| | 6 | GV30063-001A | POWER BUTTON | 1 | UX-V50GN | |
| | | GV30063-002A | POWER BUTTON | 1 | UX-V50V | |
| | 7 | GV30064-002A | VOLUME BUTTON | 1 | UX-V50V | |
| | | GV30064-001A | VOLUME BUTTON | 1 | UX-V50GN | |
| | 8 | QYSDSF2608Z | SCREW | 8 | SW.PWB+FR.PANEL | |
| | 9 | GV20044-016A | CD DOOR LENS | 1 | UX-V50V | |
| | | GV20044-018A | CD DOOR LENS | 1 | UX-V50GN | |
| | 10 | GV40077-001A | JVC BADGE | 1 | | |
| | 11 | GV30065-003A | CD DOOR PLATE L | 1 | UX-V50V | |
| | | GV30065-001A | CD DOOR PLATE L | 1 | UX-V50GN | |
| | 12 | GV30065-002A | CD DOOR PLATE R | 1 | UX-V50GN | |
| | | GV30065-004A | CD DOOR PLATE R | 1 | UX-V50V | |
| | 13 | GV30066-003A | CD DOORHOLDER L | 1 | UX-V50V | |
| | | GV30066-001A | CD DOORHOLDER L | 1 | UX-V50GN | |
| | 14 | GV30066-004A | CD DOORHOLDER R | 1 | UX-V50V | |
| | | GV30066-002A | CD DOORHOLDER R | 1 | UX-V50GN | |
| | 15 | QYSDSF2006M | SCREW | 8 | CD DOOR ASSY | |
| | 16 | GV20046-006A | CD CHASSIS | 1 | | |
| | 17 | QYSDSF2608Z | SCREW | 2 | CD PWB+CD CHASI | |
| | 18 | GV40072-003A | WORM PULLEY | 1 | | |
| | 19 | GV30038-001A | BELT | 1 | | |
| | 20 | GV40071-002A | GEAR | 1 | | |
| | 21 | GV40070-002A | INSULATOR | 3 | | |
| | 22 | KSM-770ABA | CD MECHA | 1 | | |
| | 23 | QYSDSF2608Z | SCREW | 1 | ILM PWB L+CD CH | |
| | 24 | GV20045-004A | CD CASE | 1 | UX-V50GN | |
| | | GV20045-006A | CD CASE | 1 | UX-V50V | |
| | 25 | MXN-13FB12F | DC MOTOR ASS'Y | 1 | | |
| | 26 | QYSPSP3004Z | SCREW | 2 | MOTOR+CD CHASSI | |
| | 27 | VYH7699-001SS | PULLEY | 1 | | |
| | 28 | QYSDSF2608Z | SCREW | 5 | CD CHASSIS+CD C | |
| | 29 | WJM0112-001A | MOTOR WIRE | 1 | | |
| | 30 | QYSDSF2608Z | SCREW | 5 | CD CHASIS+F.PAN | |
| | 31 | GV10021-001A | BOTTOM CHASSIS | 1 | | |
| | 32 | QYSBST4006Z | T.SCREW | 4 | TRANS+B.CHASSIS | |
| | 33 | GV30073-001A | JACK HOLDER | 1 | | |
| | 34 | QYSBSTG3006Z | T.SCREW | 1 | CD MCOM+B.CHAS | |
| | 35 | QYSBSTG3006Z | T.SCREW | 2 | AC J.PWB+B.CHAS | |
| | 36 | FMYH4004-001 | PLASTIC RIVET | 1 | H.P PWB+B.CHASS | |
| △ | 37 | QQT0285-003 | TRANSFORMER | 1 | T 901 | |

■ Parts list (General assembly)

Block No. M1MM

| △ | Item | Parts number | Parts name | Q'ty | Description | Area |
|---|------|----------------|-----------------|------|-----------------|------|
| △ | 38 | QMF51E2-R40-J1 | FUSE | 1 | F901 | UF |
| △ | | QMF51E2-1R0-J1 | FUSE | 1 | F901 | UN |
| △ | 39 | QMF51E2-6R3-J1 | FUSE | 1 | F 902 | |
| | 40 | QUQB12-0908BJ | FLAT WIRE | 1 | | UF |
| | | QUQ412-0908DJ | FLAT WIRE | 1 | CD MCOM+SYS MCO | UN |
| | 41 | QUQB12-1022AJ | FLAT WIRE | 1 | | UF |
| | | QUQ412-1022CJ | FLAT WIRE | 1 | CD + MAIN | UN |
| | 42 | QUQ412-1310DJ | FLAT WIRE | 1 | CD + CD MCOM | UN |
| | | QUQB12-1310BJ | FLAT WIRE | 1 | | UF |
| | 43 | QUQ110-1607BJ | FFC WIRE | 1 | PICK UP + CD | |
| | 44 | GV40111-001A | PROTECTOR SHEET | 1 | | |
| | 45 | GV10022-003A | TOP COVER | 1 | UX-V50V | |
| | | GV10022-004A | TOP COVER | 1 | UV-V50GN | |
| | 46 | GV20047-001A | CASSETTE DOOR | 1 | UX-V50GN | |
| | | GV20047-002A | CASSETTE DOOR | 1 | UX-V50V | |
| | 47 | GV40074-002A | CASS DOOR LENS | 1 | UX-V50V | |
| | | GV40074-003A | CASS DOOR LENS | 1 | UX-V50GN | |
| | 48 | VYH7366-001MM | GEAR | 1 | | |
| | 49 | GV40073-001A | EJECT KNOB | 1 | UX-V50GN | |
| | | GV40073-002A | EJECT KNOB | 1 | UX-V50V | |
| | 50 | GV40085-002A | DOOR SPRING | 1 | | |
| | 51 | ----- | S.CASSETTE MECH | 1 | | |
| | 52 | VYH3965-001 | SIDE BRACKET(R) | 1 | | |
| | 53 | VKL7850-002 | EJECT SAFTY(R) | 1 | | UN |
| | | VKL7850-202 | EJECT SAFTY(R) | 1 | | UF |
| | 54 | VKW5258-003 | TORSION SPRING | 1 | | |
| | 55 | VYH8146-012 | EJECT ARM(R) | 1 | | |
| | 56 | VKW3006-230 | TORSION SPRING | 1 | | |
| | 57 | VKZ4341-004 | SPECIAL SCREW | 1 | | |
| | 58 | GV30071-001A | HEAD SHIELD | 1 | | |
| | 59 | QYSBSF2606Z | SCREW | 2 | H.SHIELD+SLC.ME | |
| | 60 | VKZ4001-110S | WIRE HOLDER | 1 | | |
| | 61 | QYSBSF3010Z | SCREW | 4 | SLC + TOP COVER | |
| | 62 | GV30068-001A | HEAT SINK | 1 | | |
| | 63 | QYSPSF3010Z | TAP SCREW | 3 | | |
| | 64 | QYSSSF3008Z | SCREW | 2 | T.COVER+F.PANEL | |
| | 65 | GV20048-001A | SIDE PANEL L | 1 | UX-V50GN | |
| | | GV20048-005A | SIDE PANEL L | 1 | UX-V50V | |
| | 66 | GV20048-006A | SIDE PANEL R | 1 | UX-V50V | |
| | | GV20048-002A | SIDE PANEL R | 1 | UX-V50GN | |
| | 67 | GV10023-017A | REAR PANEL | 1 | UX-V50GN | UN |
| | | GV10023-019A | REAR PANEL | 1 | UX-V50GN | UF |
| | | GV10023-015A | REAR PANEL | 1 | UX-V50V | UN |
| | 68 | QYSSST3010Z | SCREW | 2 | F.PANEL+B.CHASS | |
| | 69 | QYSBSF3010N | TAP SCREW | 7 | | |
| | 70 | GV30099-021A | NAME PLATE | 1 | UX-V50V | UN |
| | | GV30099-025A | NAME PLATE | 1 | UX-V50GN | UN |
| | | GV30099-028A | NAME PLATE | 1 | UX-V50GN | UF |

■ Parts list (Genera assembly)

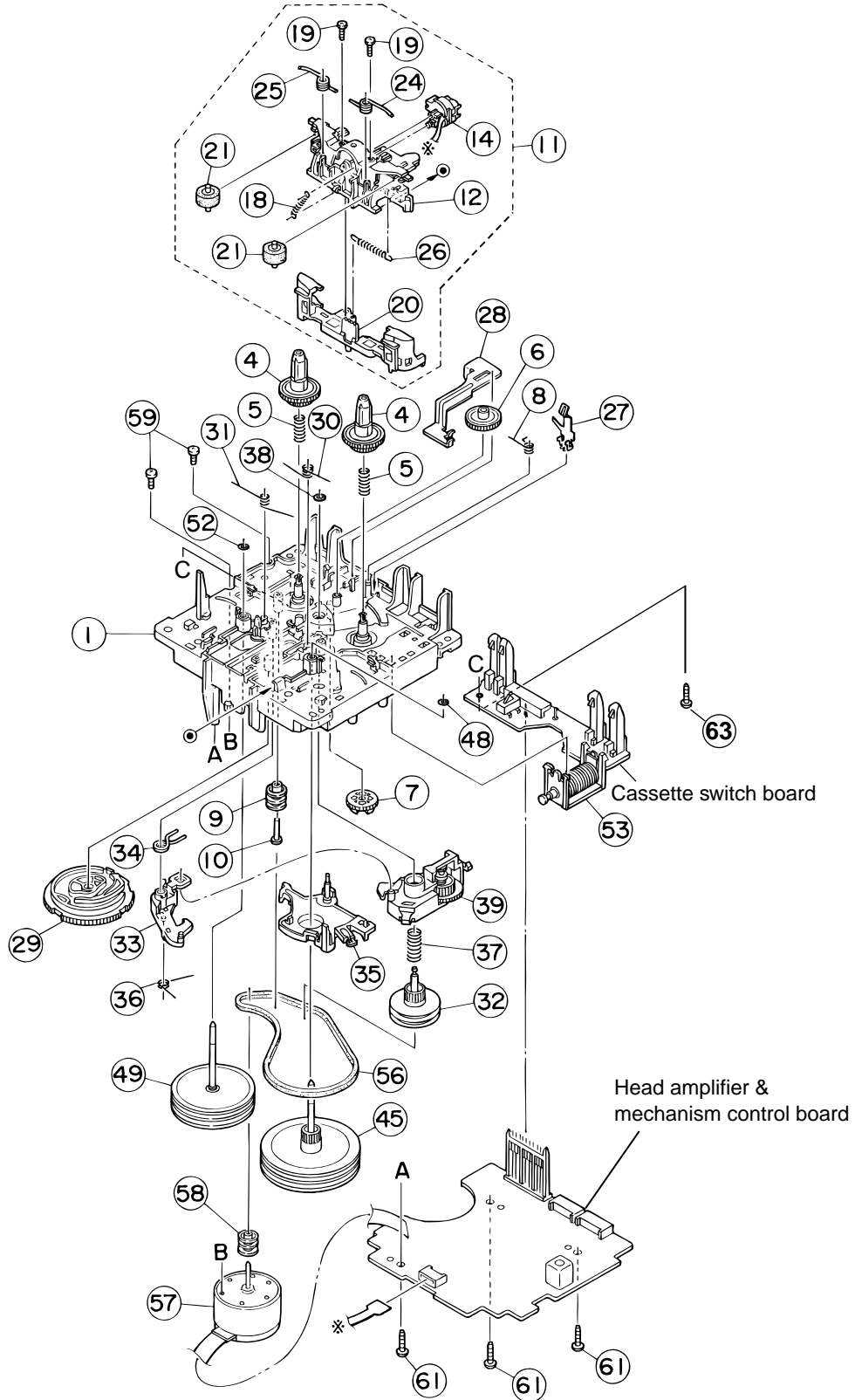
Block No. M1MM

| △ | Item | Parts number | Parts name | Q'ty | Description | Area |
|---|------|----------------|---------------|------|-----------------|------|
| | 71 | GV40091-001A | FOOT | 4 | | |
| | 72 | VND4118-004 | CAUTION LABEL | 1 | | |
| | 73 | QYSDSF2608Z | SCREW | 2 | L.CASE+F.PANEL | |
| | 74 | QYSBSTG3006Z | T.SCREW | 1 | M.BRD+B.CHASSIS | |
| | 75 | QUQ412-1024CJ | FLAT WIRE | 1 | SLC + MAIN | UN |
| | | QUQB12-1024AJ | FLAT WIRE | 1 | | UF |
| | 76 | QUQB12-0924AJ | FLAT WIRE | 1 | | UF |
| | | QUQ412-0924CJ | FLAT WIRE | 1 | SLC + MAIN | UN |
| | 77 | QYSSST3010Z | SCREW | 2 | R.PANEL+B.CHASS | |
| | 78 | GV30069-001A | I.C HOLDER | 1 | | |
| | 79 | QYSBSF3010N | TAP SCREW | 3 | TUNER TER+B.CHA | |
| | 80 | GV30070-002A | LAMP CASE | 1 | | |
| | 81 | GV40084-002A | L.C.D.SHEET | 1 | | |
| | 82 | QYSBSFG3008Z | T.SCREW | 1 | M.BOARD +IC HOL | |
| | 84 | QYSBSG3008Z | T.SCREW | 1 | SLC+SIDE BKT. | |
| | 86 | GV40122-002A | FOOT SPACER | 1 | STICK AT CD MEC | |
| △ | 87 | QMF51E2-R40-J1 | FUSE | 1 | F 904 | UN |
| | 88 | QUQB12-1714BJ | FLAT WIRE | 1 | | UF |
| | | QUQ412-1714DJ | FLAT WIRE | 1 | SYS MCOM+CD MCO | UN |
| | 89 | QUQB10-1508AJ | FFC WIRE | 1 | CD BRD+VD BRD | |
| | 90 | GV30072-001A | SHIELD A | 1 | | |
| | 91 | QJA003-060904 | WIRE ASSY | 1 | VD BRD+CD MCOM | |
| | 92 | QJA003-120802 | WIRE ASSY | 1 | VD BRD+CD MCOM | |
| | 93 | QYSDSF2608Z | SCREW | 2 | VD BRD+CD CHASI | |
| | 94 | GV40075-001A | SHIELD B | 1 | | |
| | 95 | QYSDSF2608Z | SCREW | 3 | CHASSIS | |
| | 96 | GV40076-001A | MIC BRACKET | 1 | | |
| | 97 | QYSBST3006Z | T.SCREW | 1 | MIC BRD.+MIC BK | |
| | 98 | E408765-006 | VOLUME KNOB | 1 | UX-V50GN | |
| | | E408765-005 | VOLUME KNOB | 1 | UX-V50V | |
| | 99 | QYSBSF3010Z | SCREW | 1 | MIC BRD.+T.COVE | |
| | 100 | GV40163-001A | SHIELD | 1 | | |

Cassette mechanism assembly and parts list

Block No. M 2 M M

SLC-S1YPM



■ Parts list(Cassette mechanism)

Block No. M2MM

| △ | Item | Parts number | Parts name | Q'ty | Description | Area |
|---|------|---------------|-----------------|------|-------------|------|
| | 1 | VKS1165-00G | CHASSIS B.ASS'Y | 1 | | |
| | 4 | VKS2274-002 | REEL GEAR | 2 | | |
| | 5 | VKW5286-002 | B.T. SPRING | 2 | | |
| | 6 | VKS5559-001 | PLAY IDLE GEAR | 1 | | |
| | 7 | VKS5597-00A | BUND ASS'Y | 1 | | |
| | 8 | VKW5296-001 | EARTH SPRING | 1 | | |
| | 9 | VKR4749-003 | IDLE PULLEY | 1 | | |
| | 10 | VKH5786-003 | SHAFT | 1 | | |
| | 11 | VKS2275-00E | HEAD MOUNT ASSY | 1 | | |
| | 12 | VKS1167-003 | HEAD MOUNT BASE | 1 | | |
| | 14 | LV41089-001A | R/P&E HEAD | 1 | VKS2275-00B | |
| | 18 | VKW5302-001 | HEAD SPRING | 1 | | |
| | 19 | VKZ4730-001 | SPECIAL SCREW | 2 | | |
| | 20 | VKS2277-005 | DIRECTION LEVER | 1 | | |
| | 21 | VKP4233-00A | PINCH ROL. ASSY | 2 | | |
| | 24 | VKW5299-002 | PIN ROL.SP.(R) | 1 | | |
| | 25 | VKW5300-002 | PIN ROL.SP.(L) | 1 | | |
| | 26 | VKW5285-001 | RETURN SPRING | 1 | | |
| | 27 | VKY3149-002 | CASSETTE SP. | 1 | | |
| | 28 | VKM3906-002 | PLAY SW LEVER | 1 | | |
| | 29 | VKS1166-003 | CONTROL CAM | 1 | | |
| | 30 | VKW5279-001 | HEAD BASE SP(R) | 1 | | |
| | 31 | VKW5280-001 | HEAD BASE SP(L) | 1 | | |
| | 32 | VKS5603-00D | MAIN PULLEY ASY | 1 | | |
| | 33 | VKS3785-001MM | FR ARM | 1 | | |
| | 34 | VKW5284-002 | SWING SPRING | 1 | | |
| | 35 | VKS2278-003 | TRIGGER ARM | 1 | | |
| | 36 | VKW5301-001 | FR SPRING | 1 | | |
| | 37 | VKW5266-001 | ELEVATOR SPRING | 1 | | |
| | 38 | WDL214025 | WASHER | 1 | | |
| | 39 | VKS3786-00G | CLUTCH ASS'Y | 1 | | |
| | 45 | VKF3205-00B | F.WHEEL ASSY(R) | 1 | | |
| | 48 | WDL183425 | SLIT WASHER | 1 | | |
| | 49 | VKF3207-00B | F.WHEEL ASSY(L) | 1 | | |
| | 52 | WDL173525-6 | SLIT WASHER | 1 | | |
| | 53 | VKZ3174-00A | DC SOLENOID | 1 | | |
| | 56 | VKB3000-181 | CAPSTAN BELT | 1 | | |
| | 57 | MSI-5U2LWA | D.C.MOTOR ASS'Y | 1 | | |
| | 58 | VKR4761-001 | MOTOR PULLEY | 1 | | |
| | 59 | QYSPSP2604Z | SCREW | 2 | | |
| | 61 | QYSBSF2608Z | T.SCREW | 3 | FOR P.W.B. | |
| | 63 | QYSBSF2006Z | SCREW | 1 | | |

Grease point 1/3

- Grease
- * EM-30L
 - UD-24
 - ◆ LEN-320M

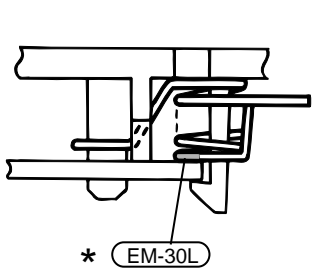


Fig.1

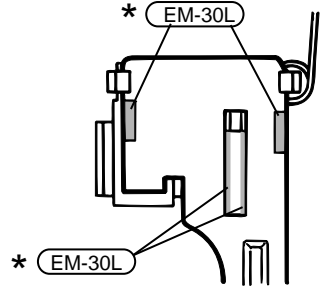


Fig.2

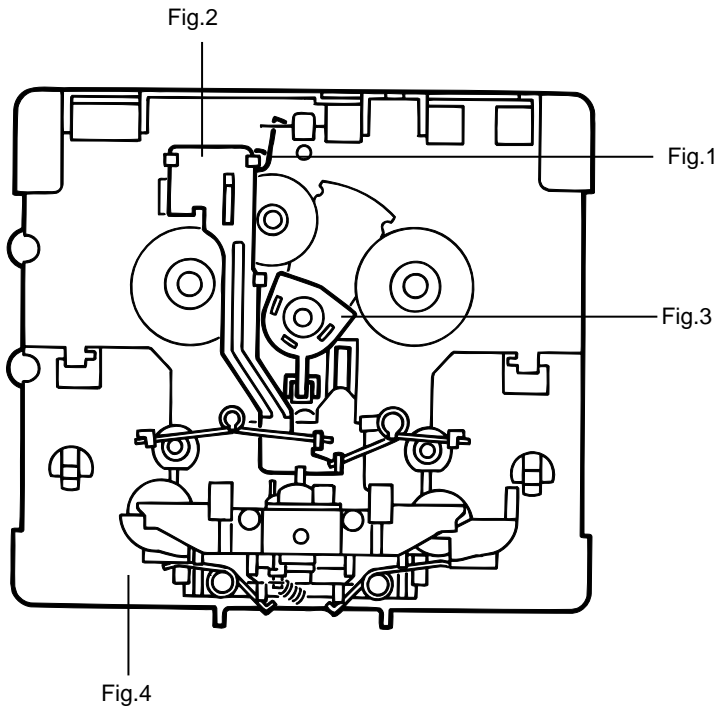


Fig.4

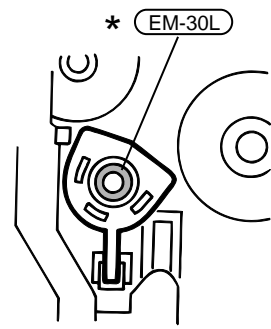


Fig.3

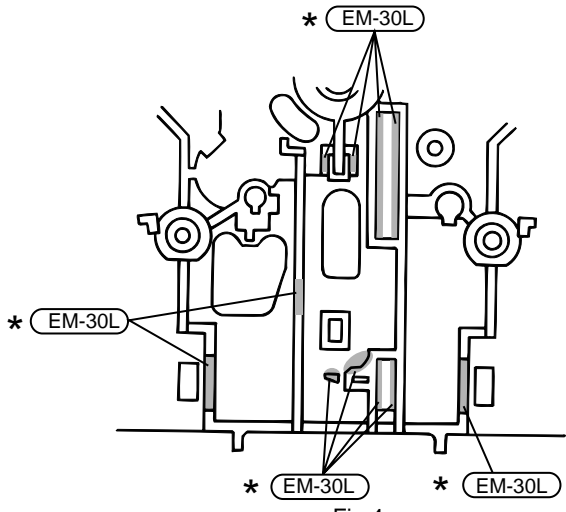


Fig.4

(Remove the Head mount Ass'y on the Chasis Base)

Grease point 2/3

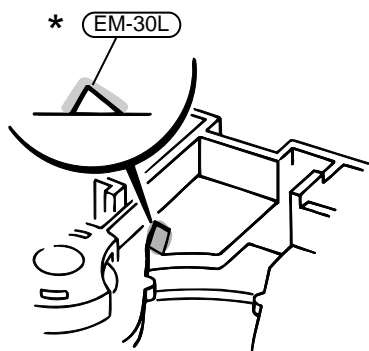


Fig.5

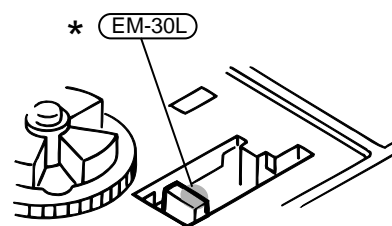


Fig.1

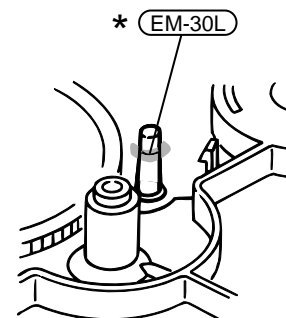
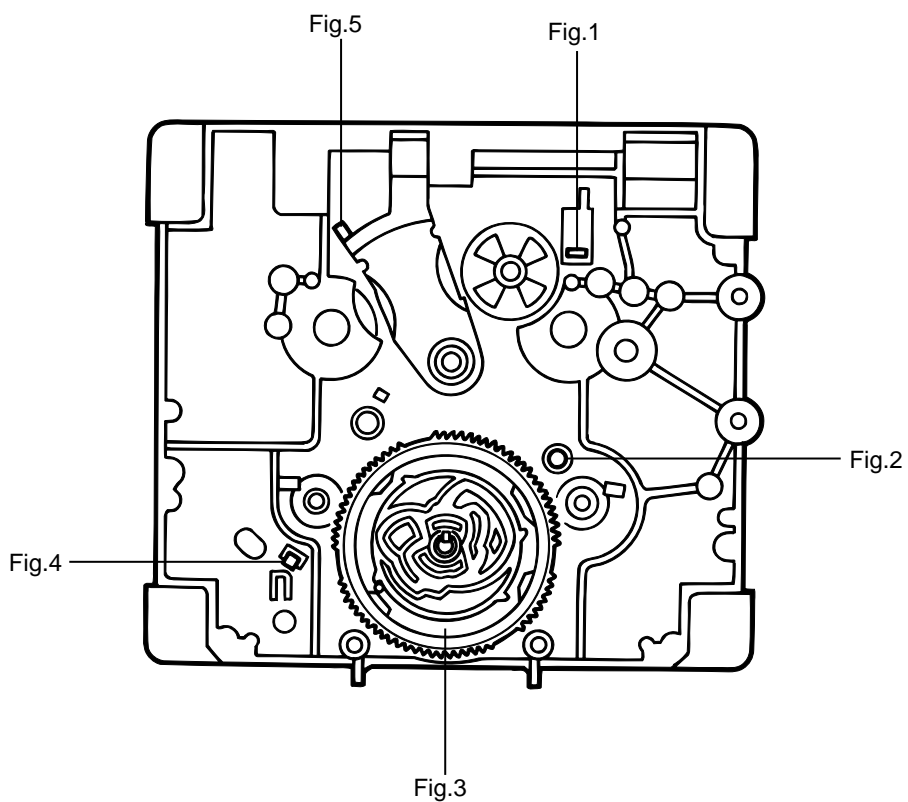


Fig.2

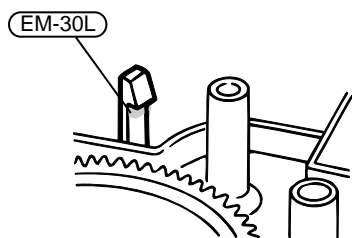


Fig.4

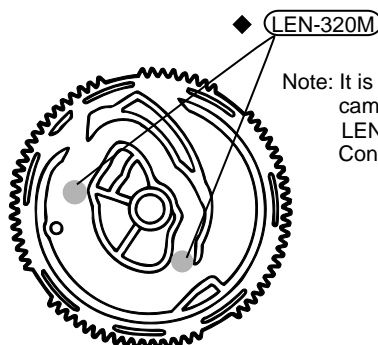


Fig.3

Note: It is a putting up of the control cam to UD-24H(Hanarl) and LEN-320M(Grease)dipping on the Control cam

Grease point 3/3

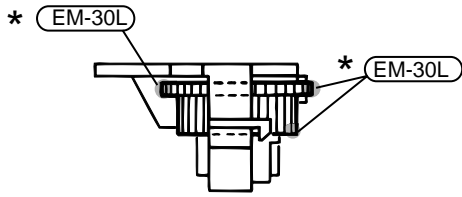


Fig.1

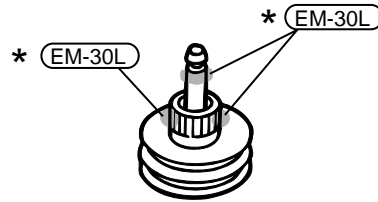


Fig.2

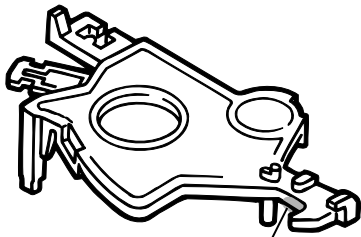
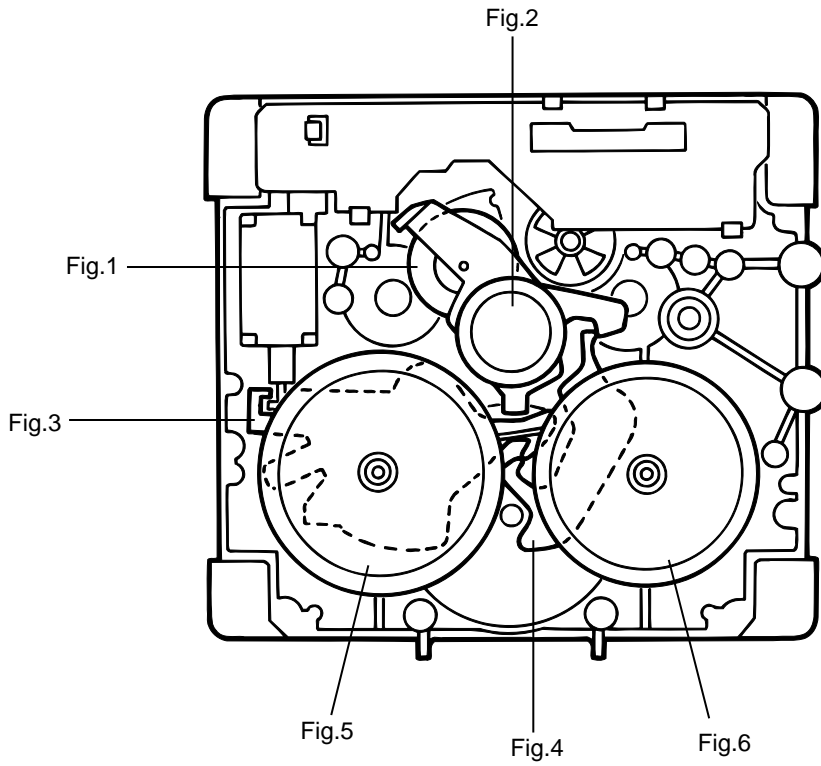


Fig.3

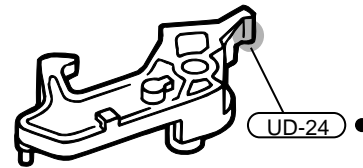


Fig.4

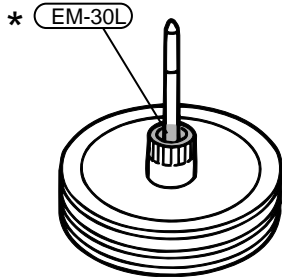


Fig.5

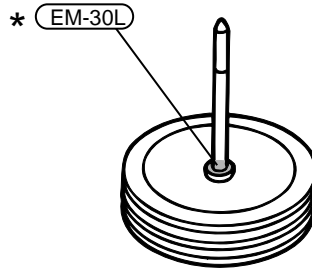


Fig.6

■ Electrical parts list (Main board)

Block No. 01

| △ | Item | Parts number | Parts name | Remarks | Area | △ | Item | Parts number | Parts name | Remarks | Area |
|---|-------|----------------|-----------------|---------------|------|---|-------|----------------|-----------------|----------------|------|
| | C 901 | QFLK1HJ-104Z | TF CAPACITOR | .10MF 5% 50V | | | C2800 | QETN1EM-475Z | E CAPACITOR | 4.7MF 20% 25V | |
| | C 902 | QFLK1HJ-104Z | TF CAPACITOR | .10MF 5% 50V | | △ | C3100 | QETM1EM-828 | AL E.CAPACITOR | 8200MF 20% 25V | |
| | C 903 | QFLK1HJ-104Z | TF CAPACITOR | .10MF 5% 50V | | | C3101 | QFLM1HJ-104Z | M CAPACITOR | .10MF 5% 50V | |
| | C 904 | QFVF1HJ-104Z | TF CAPACITOR | .10MF 5% 50V | | | C3102 | EEKC1CM-107ZJC | E CAPACITOR | | |
| | CN301 | QGB1214J1-20S | CONNECTOR | MICON | | | C3103 | QETN1CM-107Z | E CAPACITOR | 100MF 20% 16V | |
| | CN302 | QGB1214J1-14S | CONNECTOR | MICON | | | C3104 | QETC1AM-336Z | E CAPACITOR | 33MF 20% 10V | |
| | CN303 | QGF1205C1-10 | CONNECTOR | CD | | | C3105 | QETN1HM-225Z | E CAPACITOR | 2.2MF 20% 50V | |
| | CN304 | QGF1205F1-09 | CONNECTOR | SLC | | | C3150 | QETN1EM-475Z | E CAPACITOR | 4.7MF 20% 25V | |
| | CN305 | QGF1205F1-10 | CONNECTOR | SLC | | | C3300 | QETN1CM-476Z | E CAPACITOR | 47MF 20% 16V | |
| | CN306 | QGA2501C1-05 | 5P CONNECTOR | HEADPHONE | | | C3301 | QETN1AM-476Z | E CAPACITOR | 47MF 20% 10V | |
| | CN307 | QGA2501C1-02 | 2P CONNECTOR | CD DOOR | | | C3400 | QETN1HM-105Z | E CAPACITOR | 1.0MF 20% 50V | |
| △ | CN901 | QGA7901C1-04 | CONNECTOR | | UN | | C3401 | QETN1HM-105Z | E CAPACITOR | 1.0MF 20% 50V | |
| △ | CN901 | QGA7901C1-02 | CONNECTOR | | UF | | C3402 | QFLC1HJ-563Z | TF CAPACITOR | .056MF 5% 50V | |
| | CN902 | QGA3901C1-02 | CONNECTOR | | | | C3403 | QFLC1HJ-563Z | TF CAPACITOR | .056MF 5% 50V | |
| | C1100 | FQDXB1CM-332Y | CER.CAPACITOR-S | | | | C3404 | QETN1HM-105Z | E CAPACITOR | 1.0MF 20% 50V | |
| | C1101 | QCBB1HK-331Y | C CAPACITOR | 330PF 10% 50V | | | C3405 | QETN1CM-106Z | E CAPACITOR | 10MF 20% 16V | |
| | C1102 | QFLM1HJ-104Z | TF CAPACITOR | .10MF 5% 50V | | | C3406 | QETN1HM-105Z | E CAPACITOR | 1.0MF 20% 50V | |
| | C1103 | QFLM1HJ-104Z | M CAPACITOR | .10MF 5% 50V | | | C3500 | QETN1CM-107Z | E CAPACITOR | 100MF 20% 16V | |
| | C1104 | QTE1V06-106Z | E CAPACITOR | | | | C3501 | QETN1EM-106Z | E CAPACITOR | 10MF 20% 25V | |
| | C1105 | QCBB1HK-221Y | CER.CAPACITOR-S | 220PF 10% 50V | | | C3502 | QDYB1CM-103Y | C CAPACITOR | | |
| | C1106 | QCBB1HK-471Y | CER.CAPACITOR-S | 470PF 10% 50V | | | C3503 | QDGB1HK-102Y | C.CAPACITOR | | |
| | C1107 | QCBB1HK-820Y | CER.CAPACITOR-S | 82PF 10% 50V | | | C3504 | QDGB1HK-102Y | C.CAPACITOR | | |
| | C1150 | QDGB1HK-102Y | C.CAPACITOR | | | | C3505 | QDGB1HK-102Y | C.CAPACITOR | | |
| | C1300 | QFLM1HJ-823Z | M CAPACITOR | .082MF 5% 50V | | | C3506 | QDGB1HK-102Y | C.CAPACITOR | | |
| | C1301 | QFLM1HJ-823Z | M CAPACITOR | .082MF 5% 50V | | | C3507 | QDGB1HK-102Y | C.CAPACITOR | | |
| | C1302 | QTE1C06-226Z | E CAPACITOR | | | | C3800 | EETC1HM-105ZJC | E.CAPA. | | |
| | C1303 | QFVJ1HJ-274Z | CAPACITOR | .27MF 5% 50V | | | C9001 | EETC1CM-227ZJC | E CAPACITOR | 220MF 20% 16V | |
| | C1500 | QETN1EM-106Z | E CAPACITOR | 10MF 20% 25V | | | C9002 | QDYB1CM-103Y | C CAPACITOR | | |
| | C1501 | QFLM1HJ-272Z | M CAPACITOR | 2700PF 5% 50V | | | C9003 | FQDXB1CM-222Y | CER.CAPACITOR-S | | |
| | C1502 | EETC1HM-475ZJC | AL E.CAPACITOR | | | | C9201 | QETN1CM-476Z | E CAPACITOR | 47MF 20% 16V | |
| | C1503 | QTE1V06-106Z | E CAPACITOR | | | | C9202 | QDYB1CM-103Y | C CAPACITOR | | |
| | C1504 | QFVF1HJ-104Z | TF CAPACITOR | .10MF 5% 50V | | | C9203 | QTE1V06-106Z | E CAPACITOR | | |
| | C1505 | QFVF1HJ-104Z | TF CAPACITOR | .10MF 5% 50V | | | C9302 | EEKC1HM-475ZJC | E CAPACITOR | | |
| | C1506 | QFLM1HJ-272Z | M CAPACITOR | 2700PF 5% 50V | | | C9303 | EEKC1AM-107ZJC | E CAPACITOR | | |
| | C1507 | EETC1HM-475ZJC | AL E.CAPACITOR | | | | C9401 | EEKC1AM-227ZJC | E CAPACITOR | | |
| | C1508 | EETC1HM-475ZJC | AL E.CAPACITOR | | | | C9402 | EEKC1AM-107ZJC | E CAPACITOR | | |
| | C1510 | QETN1EM-475Z | E CAPACITOR | 4.7MF 20% 25V | | | C9403 | QDYB1CM-103Y | C CAPACITOR | | |
| | C1600 | QCBB1HK-221Y | C CAPACITOR | 220PF 10% 50V | | | C9404 | QCZ0205-155Z | ML C CAPACITOR | 1.5MF | |
| | C1800 | QETN1EM-475Z | E CAPACITOR | 4.7MF 20% 25V | | | C9501 | EETC1AM-477Z | E CAPACITOR | 470MF 20% 10V | |
| | C2100 | FQDXB1CM-332Y | CER.CAPACITOR-S | | | △ | D 901 | 6A10E2 | SI DIODE | | |
| | C2101 | QCBB1HK-331Y | C CAPACITOR | 330PF 10% 50V | | △ | D 902 | 6A10E2 | SI DIODE | | |
| | C2102 | QFLM1HJ-104Z | M CAPACITOR | .10MF 5% 50V | | △ | D 903 | 6A10E2 | SI DIODE | | |
| | C2103 | QFLM1HJ-104Z | TF CAPACITOR | .10MF 5% 50V | | △ | D 904 | 6A10E2 | SI DIODE | | |
| | C2104 | QTE1V06-106Z | E CAPACITOR | | | | D3300 | MTZJ4.3B-T2 | ZENER DIODE | | |
| | C2105 | QCBB1HK-221Y | CER.CAPACITOR-S | 220PF 10% 50V | | | D3400 | 1SS133-T2 | SI DIODE | | |
| | C2106 | QCBB1HK-471Y | CER.CAPACITOR-S | 470PF 10% 50V | | | D3401 | 1SS133-T2 | SI DIODE | | |
| | C2107 | QCBB1HK-820Y | CER.CAPACITOR-S | 82PF 10% 50V | | | D3402 | 1SS133-T2 | SI DIODE | | |
| | C2150 | QDGB1HK-102Y | C.CAPACITOR | | | | D3403 | 1SS133-T2 | SI DIODE | | |
| | C2300 | QFLM1HJ-823Z | M CAPACITOR | .082MF 5% 50V | | | D3504 | 1SS133-T2 | SI DIODE | | |
| | C2301 | QFLM1HJ-823Z | M CAPACITOR | .082MF 5% 50V | | | D3505 | 1SS133-T2 | SI DIODE | | |
| | C2302 | QTE1C06-226Z | E CAPACITOR | | | | D3800 | MTZJ6.8B-T2 | ZENER DIODE | | |
| | C2303 | QFVJ1HJ-274Z | CAPACITOR | .27MF 5% 50V | | | D9001 | 1SS133-T2 | SI DIODE | | |
| | C2500 | QETN1EM-106Z | E CAPACITOR | 10MF 20% 25V | | | D9002 | MTZJ8.2C-T2 | ZENER DIODE | | |
| | C2501 | QFLM1HJ-272Z | M CAPACITOR | 2700PF 5% 50V | | | D9003 | MTZJ10A-T2 | ZENER DIODE | | |
| | C2502 | EETC1HM-475ZJC | AL E.CAPACITOR | | | | D9101 | 1SR35-400A-T5 | SI.DIODE | | UF |
| | C2503 | QTE1V06-106Z | E CAPACITOR | | | | D9201 | MTZJ5.1C-T2 | ZENER DIODE | | |
| | C2504 | QFVF1HJ-104Z | TF CAPACITOR | .10MF 5% 50V | | | D9301 | MTZJ3.9B-T2 | Z DIODE IM | | |
| | C2505 | QFVF1HJ-104Z | TF CAPACITOR | .10MF 5% 50V | | | D9302 | 1SS133-T2 | SI DIODE | | |
| | C2506 | QFLM1HJ-272Z | M CAPACITOR | 2700PF 5% 50V | | | D9303 | 1SS133-T2 | SI DIODE | | |
| | C2507 | EETC1HM-475ZJC | AL E.CAPACITOR | | | | D9402 | MTZJ6.2A-T2 | Z.DIODE IDM | | |
| | C2508 | EETC1HM-475ZJC | AL E.CAPACITOR | | | | D9501 | 1SS133-T2 | SI DIODE | | |
| | C2510 | QETN1EM-475Z | E CAPACITOR | 4.7MF 20% 25V | | | D9504 | MTZJ9.1C-T2 | Z DIODE I/M | | |
| | C2600 | QCBB1HK-221Y | C CAPACITOR | 220PF 10% 50V | | | EP902 | QNZ0136-001Z | EARTH PLATE | | |

■ Electrical parts list (Main board)

Block No. 01

| △ | Item | Parts number | Parts name | Remarks | Area |
|---|-------|----------------|----------------|--------------|------|
| | FW900 | QUM154-11Z4Z4 | FLAT WIRE | | |
| | IC300 | LA4628 | IC | | |
| | IC301 | BA15218N | IC | | |
| | IC302 | LC75342 | IC | | |
| | IC303 | LB1641 | IC | | |
| | J 300 | QNB0090-001 | SPK TERMINAL | | |
| | J 301 | QNN0215-001 | PIN JACK | | |
| | J 302 | QNS0030-001 | JACK | | |
| △ | J 901 | QNC0006-001 | AC SOCKET | | |
| | K1200 | QQR0779-001Z | INDUCTOR | | |
| | K2200 | QQR0779-001Z | INDUCTOR | | |
| | K3800 | QUY150-050Y | BUS WIRE | | |
| | K9100 | QUY150-050Y | IM BUS WIRE | | |
| | K9401 | QUY150-050Y | BUS WIRE | | |
| | K9402 | QQR0621-001Z | FERRITE BEADS | | |
| △ | L 901 | QQR1145-001 | INDUCTOR | LINE FILTER | |
| △ | L1100 | QQR0797-001 | INDUCTOR | | |
| | L1200 | QQL231K-470Y | INDUCTOR | | |
| △ | L2100 | QQR0797-001 | INDUCTOR | | |
| | L2200 | QQL231K-470Y | INDUCTOR | | |
| | L3200 | QQL231K-470Y | INDUCTOR | | |
| | L9401 | QUY150-050Y | INDUCTOR | | |
| | PP900 | QZW0038-001 | WIRE CLAMP | | |
| | PW900 | QNZ0104-001 | POST PIN | | |
| | Q1150 | 2SC3576-JVC-T | TRANSISTOR | | |
| | Q1400 | KTC3199/GL-T | TRANSISTOR | | |
| | Q1800 | KTC3199/GL-T | TRANSISTOR | | |
| | Q2150 | 2SC3576-JVC-T | TRANSISTOR I/M | | |
| | Q2400 | KTC3199/GL-T | TRANSISTOR | | |
| | Q2800 | KTC3199/GL-T | TRANSISTOR | | |
| | Q3150 | KRA101M-T | TR I/M | | |
| | Q3800 | KRA101M-T | TR I/M | | |
| △ | Q9001 | KTA1046/Y/ | TRANSISTOR * | | |
| | Q9002 | KTC3199/GL-T | TRANSISTOR | | |
| | Q9003 | KTA1267/YG-T | TRANSISTOR | | |
| | Q9004 | KRC114M-T | TR I.M * | | |
| | Q9005 | DTA144TS-T | D.TRANSISTOR | | |
| | Q9006 | KTC3199/GL-T | TRANSISTOR | | |
| | Q9007 | KTC3199/GL-T | TRANSISTOR | | |
| | Q9201 | KTB772/Y/ | TRANSISTOR | | |
| | Q9202 | KTC3199/GL-T | TRANSISTOR | | |
| | Q9301 | KTA1267/YG-T | TRANSISTOR | | |
| | Q9302 | KTC3199/GL-T | TRANSISTOR | | |
| | Q9402 | KTC3199/GL-T | TRANSISTOR | | |
| | Q9403 | DTC114YS-T | TR I.M | | |
| | Q9501 | 2SD2144S/VW/-T | TRANSISTOR | | |
| | R1100 | QRE141J-2R2Y | C RESISTOR | 2.2 5% 1/4W | |
| | R1101 | QRE141J-2R2Y | C RESISTOR | 2.2 5% 1/4W | |
| | R1102 | QRE141J-471Y | C RESISTOR | 470 5% 1/4W | |
| | R1150 | QRE141J-472Y | C RESISTOR | 4.7K 5% 1/4W | |
| | R1151 | QRE141J-512Y | C RESISTOR | 5.1K 5% 1/4W | |
| | R1200 | QRE141J-151Y | C RESISTOR | 150 5% 1/4W | |
| | R1300 | QRE141J-224Y | C RESISTOR | 220K 5% 1/4W | |
| | R1301 | QRE141J-202Y | C RESISTOR | 2.0K 5% 1/4W | |
| | R1302 | QRE141J-222Y | C RESISTOR | 2.2K 5% 1/4W | |
| | R1303 | QRE141J-153Y | C RESISTOR | 15K 5% 1/4W | |
| | R1304 | QRE141J-153Y | C RESISTOR | 15K 5% 1/4W | |
| | R1305 | QRE141J-183Y | C RESISTOR | 18K 5% 1/4W | |
| | R1306 | QRE141J-512Y | C RESISTOR | 5.1K 5% 1/4W | |
| | R1307 | QRE141J-182Y | C RESISTOR | 1.8K 5% 1/4W | |
| | R1400 | QRE141J-223Y | C RESISTOR | 22K 5% 1/4W | |
| | R1401 | QRE141J-223Y | C RESISTOR | 22K 5% 1/4W | |
| | R1402 | QRE141J-103Y | C RESISTOR | 10K 5% 1/4W | |

| △ | Item | Parts number | Parts name | Remarks | Area |
|---|-------|--------------|------------|--------------|------|
| | R1501 | QRE141J-512Y | C RESISTOR | 6.8K 5% 1/4W | |
| | R1503 | QRE141J-392Y | C RESISTOR | 3.9K 5% 1/4W | |
| | R1508 | QRE141J-103Y | C RESISTOR | 10K 5% 1/4W | |
| | R1600 | QRE141J-303Y | C RESISTOR | 30K 5% 1/4W | |
| | R1601 | QRE141J-303Y | C RESISTOR | 30K 5% 1/4W | |
| | R1800 | QRE141J-912Y | C RESISTOR | 9.1K 5% 1/4W | |
| | R1801 | QRE141J-272Y | C RESISTOR | 2.7K 5% 1/4W | |
| | R1802 | QRE141J-222Y | C RESISTOR | 2.2K 5% 1/4W | |
| | R1803 | QRE141J-622Y | C RESISTOR | 6.2K 5% 1/4W | |
| | R2100 | QRE141J-2R2Y | C RESISTOR | 2.2 5% 1/4W | |
| | R2101 | QRE141J-2R2Y | C RESISTOR | 2.2 5% 1/4W | |
| | R2102 | QRE141J-471Y | C RESISTOR | 470 5% 1/4W | |
| | R2150 | QRE141J-472Y | C RESISTOR | 4.7K 5% 1/4W | |
| | R2151 | QRE141J-512Y | C RESISTOR | 5.1K 5% 1/4W | |
| | R2200 | QRE141J-151Y | C RESISTOR | 150 5% 1/4W | |
| | R2300 | QRE141J-224Y | C RESISTOR | 220K 5% 1/4W | |
| | R2301 | QRE141J-202Y | C RESISTOR | 2.0K 5% 1/4W | |
| | R2302 | QRE141J-222Y | C RESISTOR | 2.2K 5% 1/4W | |
| | R2303 | QRE141J-153Y | C RESISTOR | 15K 5% 1/4W | |
| | R2304 | QRE141J-153Y | C RESISTOR | 15K 5% 1/4W | |
| | R2305 | QRE141J-183Y | C RESISTOR | 18K 5% 1/4W | |
| | R2306 | QRE141J-512Y | C RESISTOR | 5.1K 5% 1/4W | |
| | R2307 | QRE141J-182Y | C RESISTOR | 1.8K 5% 1/4W | |
| | R2400 | QRE141J-223Y | C RESISTOR | 22K 5% 1/4W | |
| | R2401 | QRE141J-223Y | C RESISTOR | 22K 5% 1/4W | |
| | R2402 | QRE141J-103Y | C RESISTOR | 10K 5% 1/4W | |
| | R2501 | QRE141J-512Y | C RESISTOR | 5.1K 5% 1/4W | |
| | R2503 | QRE141J-392Y | C RESISTOR | 3.9K 5% 1/4W | |
| | R2508 | QRE141J-103Y | C RESISTOR | 10K 5% 1/4W | |
| | R2600 | QRE141J-303Y | C RESISTOR | 30K 5% 1/4W | |
| | R2601 | QRE141J-303Y | C RESISTOR | 30K 5% 1/4W | |
| | R2800 | QRE141J-912Y | C RESISTOR | 9.1K 5% 1/4W | |
| | R2801 | QRE141J-272Y | C RESISTOR | 2.7K 5% 1/4W | |
| | R2802 | QRE141J-222Y | C RESISTOR | 2.2K 5% 1/4W | |
| | R2803 | QRE141J-622Y | C RESISTOR | 6.2K 5% 1/4W | |
| | R3100 | QRE141J-103Y | C RESISTOR | 10K 5% 1/4W | |
| | R3300 | QRE141J-101Y | C RESISTOR | 100 5% 1/4W | |
| | R3301 | QRE141J-152Y | C RESISTOR | 1.5K 5% 1/4W | |
| | R3400 | QRE141J-682Y | C RESISTOR | 6.8K 5% 1/4W | |
| | R3401 | QRE141J-682Y | C RESISTOR | 6.8K 5% 1/4W | |
| | R3402 | QRE141J-124Y | C RESISTOR | 120K 5% 1/4W | |
| | R3403 | QRE141J-154Y | C RESISTOR | 150K 5% 1/4W | |
| | R3404 | QRE141J-223Y | C RESISTOR | 22K 5% 1/4W | |
| | R3405 | QRE141J-513Y | C RESISTOR | 51K 5% 1/4W | |
| | R3500 | QRE141J-101Y | C RESISTOR | 100 5% 1/4W | |
| | R3501 | QRE141J-222Y | C RESISTOR | 2.2K 5% 1/4W | |
| | R3502 | QRE141J-222Y | C RESISTOR | 2.2K 5% 1/4W | |
| | R3503 | QRE141J-222Y | C RESISTOR | 2.2K 5% 1/4W | |
| | R9001 | QRE141J-1R2Y | C RESISTOR | 1.2 5% 1/4W | |
| | R9002 | QRE141J-1R2Y | C RESISTOR | 1.2 5% 1/4W | |
| | R9003 | QRE141J-1R2Y | C RESISTOR | 1.2 5% 1/4W | |
| | R9004 | QRE141J-471Y | C RESISTOR | 470 5% 1/4W | |
| | R9005 | QRE141J-152Y | C RESISTOR | 1.5K 5% 1/4W | |
| | R9006 | QRE141J-272Y | C RESISTOR | 2.7K 5% 1/4W | |
| | R9007 | QRE141J-681Y | C RESISTOR | 680 5% 1/4W | |
| | R9008 | QRE141J-682Y | C RESISTOR | 6.8K 5% 1/4W | |
| △ | R9009 | QRZ9005-680X | F.RES I/M | 68 1/0W | |
| △ | R9010 | QRZ9005-680X | F.RES I/M | 68 1/0W | |
| △ | R9011 | QRZ9005-680X | F.RES I/M | 68 1/0W | |
| | R9012 | QRE141J-472Y | C RESISTOR | 4.7K 5% 1/4W | |
| | R9013 | QRE141J-471Y | C RESISTOR | 470 5% 1/4W | |
| | R9014 | QRE141J-472Y | C RESISTOR | 4.7K 5% 1/4W | |
| | R9015 | QRE141J-472Y | C RESISTOR | 4.7K 5% 1/4W | |

■ Electrical parts list (Main board)

Block No. 01

| △ | Item | Parts number | Parts name | Remarks | Area |
|---|-------|---------------|-----------------|--------------|------|
| | R9016 | QRE141J-472Y | C RESISTOR | 4.7K 5% 1/4W | |
| | R9017 | QRE141J-103Y | C RESISTOR | 10K 5% 1/4W | |
| | R9018 | QRE141J-391Y | C RESISTOR | 390 5% 1/4W | |
| △ | R9019 | QRZ9005-680X | F.RES I/M | 68 1/0W | |
| △ | R9100 | QRZ9006-4R7X | F RESISTOR | 4.7 1/0W | |
| | R9101 | QRZ9006-5R6X | F RESISTOR | 5.6 1/0W | UN |
| | R9201 | QRE141J-103Y | CARBON RESISTOR | 10K 5% 1/4W | |
| | R9202 | QRE141J-103Y | C RESISTOR | 10K 5% 1/4W | |
| | R9203 | QRE141J-820Y | C RESISTOR | 82 5% 1/4W | |
| | R9301 | QUY150-050Y | BUS WIRE | | |
| | R9302 | QRE141J-333Y | C RESISTOR | 33K 5% 1/4W | |
| | R9303 | QRE141J-101Y | C RESISTOR | 100 5% 1/4W | |
| | R9304 | QRE141J-390Y | C RESISTOR | 39 5% 1/4W | |
| | R9403 | QRE141J-100Y | C RESISTOR | 10 5% 1/4W | |
| | R9404 | QRE141J-6R8Y | C RESISTOR | 6.8 5% 1/4W | |
| | R9405 | QRE141J-391Y | C RESISTOR | 390 5% 1/4W | |
| | R9501 | QRE141J-471Y | C RESISTOR | 470 5% 1/4W | |
| △ | S 901 | QSW0740-001 | VOLTAGE SWITCH | | |
| | W 300 | QJK015-021102 | WIRE | SECONDARY | |
| | W 301 | QJK017-051400 | WIRE | | |
| | W 900 | QJK010-021104 | WIRE | | |
| △ | W 901 | WJK0071-001A | E-SI C WIRE C-B | | |
| | Z 901 | QNG0020-001Z | FUSE CLIP | PRIMARY | |
| | Z 902 | QNG0020-001Z | FUSE CLIP | PRIMARY | |
| | Z 903 | QNG0020-001Z | FUSE CLIP | SECONDARY | |
| | Z 904 | QNG0020-001Z | FUSE CLIP | SECONDARY | |
| | Z 907 | QNG0020-001Z | FUSE CLIP | PRIMARY | |
| | Z 908 | QNG0020-001Z | FUSE CLIP | PRIMARY | |

■ Electrical parts list (Micon board & regulator) Block No. 02

| △ | Item | Parts number | Parts name | Remarks | Area |
|---|-------|----------------|-----------------|-----------------|------|
| | BL701 | QLL0089-001 | PILOT LAMP | UX-V50V | |
| | BL701 | QLL0078-001 | PILOT LAMP | UX-V50GN | |
| | BL702 | QLL0089-001 | PILOT LAMP | UX-V50V | |
| | BL702 | QLL0078-001 | PILOT LAMP | UX-V50GN | |
| | C 1 | NCB21HK-223X | C CAPACITOR | | |
| | C 2 | NCB21HK-103X | C CAPACITOR | | |
| | C 3 | EETC1CM-106ZJC | AL E.CAPACITOR | | |
| | C 4 | NCB21HK-103X | C CAPACITOR | | |
| | C 6 | NCB21HK-102X | C CAPACITOR | | |
| | C 7 | NCB21HK-102X | C CAPACITOR | | |
| | C 11 | NCB21HK-104X | C CAPACITOR | | |
| | C 12 | NCB21HK-473X | C CAPACITOR | | |
| | C 13 | NDC21HJ-120X | C CAPACITOR | | |
| | C 14 | EETC1AM-107ZJC | E.CAPA. | | |
| | C 15 | NDC21HJ-120X | C CAPACITOR | | |
| | C 16 | NDC21HJ-120X | C CAPACITOR | | |
| | C 17 | NCB21HK-392X | C CAPACITOR | | |
| | C 18 | QENC1HM-474Z | NP E.CAPA I.M | .47MF 20% 50V | |
| | C 19 | NCB21HK-473X | C CAPACITOR | | |
| | C 20 | NCB21HK-102X | C CAPACITOR | | |
| | C 21 | NCB21HK-223X | C CAPACITOR | | |
| | C 22 | NCS21HJ-151X | C CAPACITOR | | |
| | C 23 | NCS21HJ-151X | C CAPACITOR | | |
| | C 24 | NCS21HJ-151X | C CAPACITOR | | |
| | C 25 | EETC1AM-107ZJC | E.CAPA. | | |
| | C 26 | NCB21HK-102X | C CAPACITOR | | |
| | C 27 | NCB21HK-102X | C CAPACITOR | | |
| | C 30 | EEKC1AM-107ZJC | E.CAPA. I.M | | |
| | C 31 | EEKC1CM-226ZJC | E.CAPA. I.M | | |
| | C 32 | NCB21HK-473X | C CAPACITOR | | |
| | C 33 | NCB21HK-473X | C CAPACITOR | | |
| | C 34 | NCB21HK-223X | C CAPACITOR | | |
| | C 35 | NCB21HK-473X | C CAPACITOR | | |
| | C 36 | EETC1HM-105ZJC | E.CAPA. | | |
| | C 37 | EETC1HM-105ZJC | E.CAPA. | | |
| | C 38 | EETC1HM-224ZJC | E.CAPA. | | |
| | C 39 | EETC1HM-105ZJC | E.CAPA. | | |
| | C 40 | QETN1CM-106Z | E CAPACITOR | 10MF 20% 16V | |
| | C 41 | QETN1CM-106Z | E CAPACITOR | 10MF 20% 16V | |
| | C 42 | NCB21HK-152X | C CAPACITOR | | |
| | C 43 | NCB21HK-152X | C CAPACITOR | | |
| | C 44 | QETN1CM-106Z | E CAPACITOR | 10MF 20% 16V | |
| | C 45 | QETN1CM-106Z | E CAPACITOR | 10MF 20% 16V | |
| | C 46 | NCB21HK-273X | C CAPACITOR | | |
| | C 47 | EETC1HM-105ZJC | E.CAPA. | | |
| | C 48 | NCB21HK-222X | C CAPACITOR | | |
| | C 49 | NCS21HJ-471X | C CAPACITOR | | |
| | C 50 | EETC1CM-226ZJC | E CAPACITOR | | |
| | C 51 | EETC1HM-105ZJC | E CAPACITOR | | |
| | C 52 | QFVJ1HJ-274Z | CAPACITOR | .27MF 5% 50V | |
| | C 53 | EETC1CM-226ZJC | E CAPACITOR | | |
| | C 54 | NCB21HK-473X | C CAPACITOR | | |
| | C 57 | NCB21HK-102X | C CAPACITOR | | |
| | C 58 | NCB21HK-473X | C CAPACITOR | | |
| | CF 1 | VCF2L3B-105Z | CERAMIC FILTER | | |
| | CF 2 | VCF2L3B-105Z | CERAMIC FILTER | | |
| | CF 3 | QAX0610-001Z | C DISCRIMINATOR | | |
| | CN 1 | QGF1205F1-09 | CONNECTOR | | |
| | CN501 | QGF1205C1-17 | CONNECTOR | TO SYS.MICON PW | |
| | CN502 | QGF1205C1-13 | CONNECTOR | TO CD PWB | |
| | CN503 | QGA2001C1-12 | 12P PLUG ASSY | TO V.CD PWB | |
| | CN504 | VMC0041-006 | CONNECTOR | | |
| | CN505 | QGA2501C1-06 | 6P CONNECTOR | TO CD BOARD | |

| △ | Item | Parts number | Parts name | Remarks | Area |
|---|-------|----------------|-----------------|-----------------|------|
| | CN506 | QGA2001C1-06 | 6P PLUG ASSY | TO VCD BOARD | |
| | CN507 | QGA3901C1-02 | CONNECTOR | TO TRANS PWB | |
| | CN711 | QGB1214K1-14S | CONNECTOR | TO MAIN PWB | |
| | CN712 | QGB1214K1-20S | CONNECTOR | TO MAIN PWB | |
| | CN721 | QGA2001C1-03 | 3P PLUG ASSY | TO CD DOOR SW P | |
| | CN732 | QGF1205C1-09 | CONNECTOR | TO TUNER PWB | |
| | CN766 | QGF1205C1-17 | CONNECTOR | TO CD PWB | |
| | CN781 | QGB1216J1-08S | CONNECTOR | TO FRONT SW PWB | |
| | CN881 | QGB1216K1-08S | CONNECTOR | | |
| | C5022 | NCB21HK-682X | C.CAPA. C.M | | |
| | C5023 | QETC1CM-226Z | E CAPACITOR | 22MF 20% 16V | |
| | C5024 | EETC1HM-105ZJC | E.CAPA. | | |
| | C5026 | EETC1HM-475ZJC | AL E.CAPACITOR | | |
| | C5027 | QFLM1HJ-683Z | M CAPACITOR | .068MF 5% 50V | |
| | C5028 | QFVJ1HJ-334Z | M.CAPACITOR | .33MF 5% 50V | |
| | C5029 | QETN1CM-106Z | E CAPACITOR | 10MF 20% 16V | |
| | C5030 | QETN1CM-106Z | E CAPACITOR | 10MF 20% 16V | |
| | C5031 | QETC1HM-225Z | E CAPACITOR | 2.2MF 20% 50V | |
| | C5032 | QETC1HM-225Z | AL E.CAPACITOR | 2.2MF 20% 50V | |
| | C5033 | QETN1CM-106Z | E CAPACITOR | 10MF 20% 16V | |
| | C5035 | QETN1CM-106Z | E CAPACITOR | 10MF 20% 16V | |
| | C5036 | NCB11HK-103X | C CAPACITOR | | |
| | C5037 | NCS21HJ-102X | C CAPACITOR | | |
| | C5038 | NCB11HK-103X | C CAPACITOR | | |
| | C5061 | QETC1HM-475Z | E CAPACITOR | 4.7MF 20% 50V | |
| | C5062 | QFVJ1HJ-104Z | TF CAPACITOR | .10MF 5% 50V | |
| | C5063 | EETC1AM-107ZJC | E.CAPACITOR | | |
| | C5064 | NCS21HJ-101X | C CAPACITOR | | |
| | C5065 | NCB21HK-333X | C CAPACITOR | | |
| | C5066 | NCB21HK-472X | C CAPACITOR | | |
| | C5067 | QETC1HM-226Z | E CAPACITOR | 22MF 20% 50V | |
| | C5068 | NCB21HK-103X | CER.CAPACITOR-M | | |
| | C5069 | NCB21HK-332X | C CAPACITOR | | |
| | C5070 | QFVJ1HJ-474Z | CAPACITOR | .47MF 5% 50V | |
| | C5071 | NCB21HK-103X | C CAPACITOR | | |
| | C5072 | QETC1HM-225Z | E CAPACITOR | 2.2MF 20% 50V | |
| | C5073 | QFLC1HJ-103Z | M CAPACITOR | .010MF 5% 50V | |
| | C5074 | QETC1HM-225Z | E CAPACITOR | 2.2MF 20% 50V | |
| | C5109 | QFV41HJ-473 | CAPACITOR | .047MF 5% 50V | |
| | C5110 | QFV41HJ-473 | CAPACITOR | .047MF 5% 50V | |
| | C5111 | QFV41HJ-473 | CAPACITOR | .047MF 5% 50V | |
| | C5112 | QFV41HJ-473 | CAPACITOR | .047MF 5% 50V | |
| | C5113 | QETM1EM-478 | E CAPACITOR | 4700MF 20% 25V | |
| | C5114 | QFN31HJ-104Z | M CAPACITOR | .10MF 5% 50V | |
| | C5115 | QETC1EM-476Z | E CAPACITOR | 47MF 20% 25V | |
| | C5116 | QFVJ1HJ-334Z | M.CAPACITOR | .33MF 5% 50V | |
| | C5117 | QETC1AM-476Z | E CAPACITOR | 47MF 20% 10V | |
| | C5118 | NCB21HK-102X | C CAPACITOR | | |
| | C5119 | NCB21HK-102X | C CAPACITOR | | |
| | C5301 | QETN1CM-106Z | E CAPACITOR | 10MF 20% 16V | |
| | C5302 | QETC1HM-105Z | E CAPACITOR | 1.0MF 20% 50V | |
| | C5303 | QETC1HM-104Z | E CAPACITOR | .10MF 20% 50V | |
| | C5304 | QETC1HM-105Z | E CAPACITOR | 1.0MF 20% 50V | |
| | C5305 | NCS21HJ-390X | C CAPACITOR | | |
| | C5306 | QETC1CM-226Z | E CAPACITOR | 22MF 20% 16V | |
| | C5307 | NCS21HJ-101X | C CAPACITOR | | |
| | C5308 | QETC1CM-226Z | E CAPACITOR | 22MF 20% 16V | |
| | C5309 | QETC1CM-226Z | E CAPACITOR | 22MF 20% 16V | |
| | C5310 | QDYB1CM-103Y | C CAPACITOR | | |
| | C5501 | NCS21HJ-220X | C CAPACITOR | | |
| | C5502 | NCS21HJ-200X | C CAPACITOR | | |
| | C5511 | NCB21HK-103X | C CAPACITOR | | |
| | C5512 | QETN1AM-107Z | E CAPACITOR | 100MF 20% 10V | |

■ Electrical parts list (Micon board & regulator) Block No. 02

| △ | Item | Parts number | Parts name | Remarks | Area | △ | Item | Parts number | Parts name | Remarks | Area |
|---|-------|----------------|-----------------|-----------------|------|---|-------|-----------------|-----------------|-----------------|------|
| | C5524 | NCS21HJ-101X | C CAPACITOR | | | | D7011 | MTZJ8.2B-T2 | DIODE | SHORT HOGO | |
| | C5525 | NCB21HK-103X | C CAPACITOR | | | | D7012 | 1SS133-T2 | SI DIODE | SHORT HOGO | |
| | C5901 | NCB21HK-102X | C CAPACITOR | | | | D7013 | 1SS133-T2 | SI DIODE | | |
| | C5902 | NCB21HK-102X | C CAPACITOR | | | | D7031 | 1SS133-T2 | SI DIODE | BACK UP | |
| | C5995 | QETN1AM-477Z | E CAPACITOR | 470MF 20% 10V | | | D7032 | 1SS133-T2 | SI DIODE | CLOCK | |
| | C5997 | FQCS31HJ-680Z | D CAPACITOR | | | | D7051 | 1SS133-T2 | SI DIODE | RESET | |
| | C5998 | QDYB1CM-103Y | C CAPACITOR | | | | D7061 | MTZJ5.1C-T2 | ZENER DIODE | BACK UP CONT. | |
| | C5999 | NCS21HJ-102X | C CAPACITOR | | | | D7091 | 1SS133-T2 | SI DIODE | US5V | |
| | C7001 | NCS21HJ-180X | C CAPACITOR | CLOCK | | | D7092 | 1SS133-T2 | SI DIODE | 5V-REMCON&STBLE | |
| | C7002 | NCS21HJ-180X | C CAPACITOR | CLOCK | | | D8003 | SLR-342VC-T | LED | RED LED | |
| | C7004 | NCS21HJ-360X | C CAPACITOR | MAIN CLOCK SHIF | | | FW300 | QUM024-06Z3Z3 | FLAT WIRE | | |
| | C7005 | NCS21HJ-390X | C CAPACITOR | MAIN CLOCK SHIF | | | IC 1 | LA1838 | IC | | |
| | C7006 | NCS21HJ-200X | C CAPACITOR | MAIN CLOCK | | | IC 2 | LC72136N | IC | | |
| | C7007 | NCS21HJ-220X | C CAPACITOR | MAIN CLOCK | | | IC501 | BU9253FS-X | IC | | |
| | C7008 | NCB21HK-102X | C CAPACITOR | | | | IC502 | BA3838F-X | IC | | |
| | C7009 | NCB21HK-102X | C CAPACITOR | | | | IC503 | UPD780053GC-031 | IC | SYSTEM MICOM | |
| | C7011 | EEKC1AM-107ZJC | E CAPACITOR | | | | IC511 | PQ05RD21 | IC | | |
| | C7012 | NCB21HK-103X | C CAPACITOR | | | | IC531 | NJM4580L | IC | | |
| | C7013 | QFVF1HJ-104Z | TF CAPACITOR | .10MF 5% 50V | | | IC583 | TC74HC00AF-X | I.C(DIGI-MOS) | | |
| | C7014 | EETC1CM-106ZJC | AL E. CAPACITOR | | | | IC584 | HD74HC393FP-X | IC | | |
| | C7031 | QETN0JM-228Z | E CAPACITOR | BACKUP CAPACITO | | | IC701 | UPD780306GF-032 | IC | SYSTEM MICOM | |
| | C7051 | QETN1HM-684Z | E CAPACITOR | .68MF 20% 50V | | | IC703 | KIA78S06P-T | IC | US6V REG | |
| | C7052 | EETC1HM-225ZJC | E CAPACITOR | | | | IC801 | GP1U261X | IC | | |
| | C7081 | NCB21CK-104X | C.CAPA. C.M | AM LCD NOISE | | | J 1 | QNB0014-001 | ANT TERMINAL | | |
| | C7601 | NCS21HJ-151X | C CAPACITOR | | | | J5301 | QNS0030-001 | JACK | | |
| | C7620 | NCS21HJ-101X | C CAPACITOR | | | | J5995 | QNN0017-002 | PIN JACK | | |
| | C7621 | NCS21HJ-101X | C CAPACITOR | | | | K5030 | QQR0779-001Z | INDUCTOR | | |
| | C7633 | NCB21HK-102X | C CAPACITOR | | | | K5111 | QQR0779-001Z | INDUCTOR | | |
| | C7641 | NCS21HJ-151X | C CAPACITOR | | | | K5112 | QQR0779-001Z | INDUCTOR | | |
| | C7701 | NCS21HJ-151X | C CAPACITOR | | | | K5116 | QQR0779-001Z | INDUCTOR | | |
| | C7702 | NCS21HJ-101X | C CAPACITOR | | | | K5501 | QQR0601-001Z | FERRITE BEADS | | |
| | C7703 | NCS21HJ-101X | C CAPACITOR | | | | K7001 | NQR0006-001X | FERRITE BEAD | ICVSS | |
| | C7704 | NCS21HJ-101X | C CAPACITOR | | | | K7002 | NQR0006-001X | FERRITE BEAD | AVSS | |
| | C7801 | NCB21HK-103X | C CAPACITOR | MICOM NOISE | | | K7004 | NQR0006-001X | FERRITE BEAD | SW GND | |
| | C7802 | NCB21HK-103X | C CAPACITOR | MICOM NOISE | | | K7005 | NQR0006-001X | FERRITE BEAD | VSS | |
| | C7803 | NCB21HK-102X | C CAPACITOR | | | | L 1 | QQR0796-002 | COIL BLOCK | | |
| | C7804 | NCB21HK-103X | C CAPACITOR | | | | L5301 | QQL231K-4R7Y | INDUCTOR | | |
| | C7810 | NCB21HK-103X | C CAPACITOR | | | | L5302 | QQL231K-4R7Y | INDUCTOR | | |
| | C8001 | NCB21HK-102X | C CAPACITOR | | | | L5501 | QQL01BK-100Z | INDUCTOR | | |
| | C8002 | EEKC1CM-476ZJC | E CAPACITOR | | | | L5995 | QQR0797-001 | INDUCTOR | | |
| | C8003 | NCB21HK-103X | C CAPACITOR | | | | L7002 | QQL231K-100Y | INDUCTOR | US5V | |
| | C8004 | NCB21HK-103X | C CAPACITOR | | | | L7003 | QQL231K-470Y | INDUCTOR | AVDD & VDD | |
| | C8011 | NCB21HK-103X | C CAPACITOR | | | | L7005 | QQL231K-4R7Y | INDUCTOR | AVREF | |
| | C8022 | NCB21HK-103X | C CAPACITOR | | | | PP500 | QZW0038-001 | WIRE CLAMP | | |
| | D 1 | 1SS133-T2 | SI DIODE | | | | PP501 | QZW0038-001 | WIRE CLAMP | | |
| | D 2 | 1SS133-T2 | SI DIODE | | | | PW500 | QNZ0104-001 | POST PIN | | |
| | D 3 | 1SS133-T2 | SI DIODE | | | | Q 1 | 2SC2814/4-5/-X | TRANSISTOR | | |
| | D 4 | 1SS133-T2 | SI DIODE | | | | Q 5 | DTA114YKA-X | TRANSISTOR | | |
| | D 11 | 1SS133-T2 | SI DIODE | | | | Q5031 | DTC114TKA-X | TRANSISTOR | | |
| | DI701 | QLD0119-001 | LCD | 44 PIN LCD | | | Q5032 | DTC114TKA-X | TRANSISTOR | | |
| | D5061 | MTZJ5.1B-T2 | ZENER DIODE | | | | Q5061 | DTC144EKA-X | TRANSISTOR | | |
| △ | D5109 | 1N4003S-T5 | SI DIODE | | | | Q5114 | DTA144EKA-X | TRANSISTOR | | |
| △ | D5110 | 1N4003S-T5 | SI DIODE | | | | Q5115 | DTC144EKA-X | TRANSISTOR | | |
| △ | D5111 | 1N4003S-T5 | SI DIODE | | | | Q5301 | KTC3199/GL/-T | TRANSISTOR | | |
| △ | D5112 | 1N4003S-T5 | SI DIODE | | | | Q5302 | KTC3199/GL/-T | TRANSISTOR | | |
| △ | D5115 | MTZJ5.6C-T2 | ZENER DIODE | | | | Q5501 | DTA114EKA-X | DIGITAL.TRANSIS | | |
| | D5116 | 1N4003S-T5 | SI DIODE | | | | Q5502 | DTA114EKA-X | DIGITAL.TRANSIS | | |
| | D5301 | 1SS254-T2 | SI DIODE | | | | Q5803 | 2SC2412K/R/-X | SI.TRANSISTOR | | |
| | D5302 | 1SS254-T2 | SI DIODE | | | | Q5804 | 2SC2412K/R/-X | SI.TRANSISTOR | | |
| | D5995 | MTZJ6.8C-T2 | Z DIODE I/M | | | | Q7001 | 2SC2668/O/-T | TRANSISTOR | CLOCK SHIFT | |
| | D5997 | 1SS133-T2 | SI DIODE | | | | Q7002 | 2SC2668/O/-T | TRANSISTOR | CLOCK SHIFT | |
| | D5998 | 1SS133-T2 | SI DIODE | | | | Q7031 | 2SA1037AK/RS/-X | TRANSISTOR | SW5V | |
| | D7001 | 1SS133-T2 | SI DIODE | US5V | | | Q7051 | DTC114TKA-X | TRANSISTOR | RESET SW | |

■ Electrical parts list (Micon board & regurator) Block No. 02

| △ | Item | Parts number | Parts name | Remarks | Area |
|---|-------|---------------|--------------|-------------|------|
| | Q7061 | 2SC2412K/R/-X | TRANSISTOR | BACKUP CONT | |
| | Q7091 | 2SC2412K/R/-X | TRANSISTOR | POUT DRIVER | |
| | Q7601 | DTC144TKA-X | TRANSISTOR | | |
| | Q7602 | DTC144TKA-X | TRANSISTOR | | |
| | Q7603 | 2SC2412K/R/-X | TRANSISTOR | | |
| | Q8002 | DTA114TKA-X | DIGITAL.TR | | |
| | R 1 | QRE141J-560Y | C RESISTOR | 56 5% 1/4W | |
| | R 2 | NRSA02J-331X | MG RESISTOR | | |
| | R 3 | NRSA02J-224X | MG RESISTOR | | |
| | R 4 | NRSA02J-331X | MG RESISTOR | | |
| | R 5 | NRSA02J-560X | MG RESISTOR | | |
| | R 6 | NRSA02J-240X | RES. C.M | | |
| | R 10 | NRSA02J-222X | MG RESISTOR | | |
| | R 13 | NRSA02J-103X | MG RESISTOR | | |
| | R 14 | NRSA02J-104X | MG RESISTOR | | |
| | R 15 | NRSA02J-332X | MG RESISTOR | | |
| | R 16 | NRSA02J-472X | MG RESISTOR | | |
| | R 17 | QRZ9005-680X | F.RES I/M | 68 1/0W | |
| | R 18 | NRSA02J-102X | MG RESISTOR | | |
| | R 19 | NRSA02J-102X | MG RESISTOR | | |
| | R 20 | NRSA02J-102X | MG RESISTOR | | |
| | R 21 | NRSA02J-562X | MG RESISTOR | | |
| | R 22 | NRSA02J-472X | MG RESISTOR | | |
| | R 23 | NRSA02J-182X | MG RESISTOR | | |
| | R 24 | NRSA02J-103X | MG RESISTOR | | |
| | R 25 | NRSA02J-331X | MG RESISTOR | | |
| | R 26 | NRSA02J-222X | MG RESISTOR | | |
| | R 27 | NRSA02J-103X | MG RESISTOR | | |
| | R 28 | NRSA02J-103X | MG RESISTOR | | |
| | R 29 | NRSA02J-103X | MG RESISTOR | | |
| | R 30 | NRSA02J-122X | MG RESISTOR | | |
| | R 31 | NRSA02J-102X | MG RESISTOR | | |
| | R 32 | NRSA02J-102X | MG RESISTOR | | |
| | R 33 | NRSA02J-331X | MG RESISTOR | | |
| | R 34 | NRSA02J-470X | MG RESISTOR | | |
| | R 35 | NRSA02J-562X | MG RESISTOR | | |
| | R 36 | NRSA02J-332X | MG RESISTOR | | |
| | R 37 | NRSA02J-103X | MG RESISTOR | | |
| | R 38 | NRSA02J-563X | MG RESISTOR | | |
| | R 39 | NRSA02J-563X | MG RESISTOR | | |
| | R 40 | NRSA02J-243X | MG RESISTOR | | |
| | R 41 | NRSA02J-332X | MG RESISTOR | | |
| | R5022 | NRSA02J-223X | M.G.RESISTOR | | |
| | R5023 | NRSA02J-221X | MG RESISTOR | | |
| | R5024 | NRSA02J-223X | MG RESISTOR | | |
| | R5029 | NRSA02J-104X | MG RESISTOR | | |
| | R5030 | NRSA02J-104X | M.G.RESISTOR | | |
| | R5031 | NRSA02J-752X | MG RESISTOR | | |
| | R5032 | NRSA02J-752X | MG RESISTOR | | |
| | R5033 | NRSA02J-104X | MG RESISTOR | | |
| | R5034 | NRSA02J-104X | MG RESISTOR | | |
| | R5035 | NRSA02J-303X | MG RESISTOR | | |
| | R5036 | NRSA02J-303X | MG RESISTOR | | |
| | R5061 | NRSA02J-152X | MG RESISTOR | | |
| | R5062 | NRSA02J-333X | MG RESISTOR | | |
| | R5063 | NRSA02J-203X | MG RESISTOR | | |
| | R5064 | NRSA02J-103X | MG RESISTOR | | |
| | R5065 | NRSA02J-822X | MG RESISTOR | | |
| | R5066 | NRSA02J-203X | MG RESISTOR | | |
| | R5067 | NRSA02J-333X | MG RESISTOR | | |
| | R5068 | NRSA02J-204X | MG RESISTOR | | |
| | R5069 | NRSA02J-123X | MG RESISTOR | | |
| | R5070 | QRE141J-221Y | C RESISTOR | 220 5% 1/4W | |

| △ | Item | Parts number | Parts name | Remarks | Area |
|---|-------|--------------|---------------|-------------|------|
| | R5071 | NRSA02J-103X | MG RESISTOR | | |
| | R5072 | NRSA02J-472X | MG RESISTOR | | |
| | R5073 | NRSA02J-153X | MG RESISTOR | | |
| | R5074 | NRSA02J-101X | MG RESISTOR | | |
| | R5075 | NRSA02J-752X | MG RESISTOR | | |
| | R5076 | NRSA02J-912X | MG RESISTOR | | |
| | R5109 | QRJ146J-2R2X | UNF C.RES I/M | 2.2 5% 1/4W | |
| | R5111 | NRSA02J-472X | MG RESISTOR | | |
| | R5114 | NRSA02J-102X | MG RESISTOR | | |
| | R5301 | NRSA02J-103X | MG RESISTOR | | |
| | R5303 | NRSA02J-474X | MG RESISTOR | | |
| | R5304 | NRSA02J-103X | MG RESISTOR | | |
| | R5305 | NRSA02J-103X | MG RESISTOR | | |
| | R5306 | NRSA02J-102X | MG RESISTOR | | |
| | R5307 | NRSA02J-103X | MG RESISTOR | | |
| | R5308 | NRSA02J-471X | MG RESISTOR | | |
| | R5309 | NRSA02J-103X | MG RESISTOR | | |
| | R5310 | NRSA02J-102X | MG RESISTOR | | |
| | R5311 | NRSA02J-564X | MG RESISTOR | | |
| | R5312 | NRSA02J-392X | MG RESISTOR | | |
| | R5313 | NRSA02J-103X | MG RESISTOR | | |
| | R5314 | NRSA02J-102X | MG RESISTOR | | |
| | R5315 | NRSA02J-154X | MG RESISTOR | | |
| | R5316 | NRSA02J-154X | MG RESISTOR | | |
| | R5317 | NRSA02J-153X | MG RESISTOR | | |
| | R5318 | NRSA02J-221X | MG RESISTOR | | |
| | R5501 | NRSA02J-102X | MG RESISTOR | | |
| | R5502 | NRSA02J-102X | MG RESISTOR | | |
| | R5503 | NRSA02J-102X | MG RESISTOR | | |
| | R5504 | NRSA02J-222X | MG RESISTOR | | |
| | R5505 | NRSA02J-103X | MG RESISTOR | | |
| | R5506 | NRSA02J-102X | MG RESISTOR | | |
| | R5507 | NRSA02J-102X | MG RESISTOR | | |
| | R5508 | NRSA02J-102X | MG RESISTOR | | |
| | R5509 | NRSA02J-102X | MG RESISTOR | | |
| | R5510 | NRSA02J-102X | MG RESISTOR | | |
| | R5511 | NRSA02J-102X | MG RESISTOR | | |
| | R5512 | NRSA02J-102X | MG RESISTOR | | |
| | R5513 | NRSA02J-102X | MG RESISTOR | | |
| | R5514 | NRSA02J-102X | MG RESISTOR | | |
| | R5515 | NRSA02J-102X | MG RESISTOR | | |
| | R5516 | NRSA02J-222X | MG RESISTOR | | |
| | R5517 | NRSA02J-102X | MG RESISTOR | | |
| | R5518 | NRSA02J-102X | MG RESISTOR | | |
| | R5519 | NRSA02J-102X | MG RESISTOR | | |
| | R5520 | NRSA02J-102X | MG RESISTOR | | |
| | R5521 | NRSA02J-102X | MG RESISTOR | | |
| | R5522 | NRSA02J-102X | MG RESISTOR | | |
| | R5523 | NRSA02J-102X | MG RESISTOR | | |
| | R5524 | NRSA02J-222X | MG RESISTOR | | |
| | R5525 | NRSA02J-222X | MG RESISTOR | | |
| | R5526 | NRSA02J-223X | MG RESISTOR | | |
| | R5527 | NRSA02J-223X | MG RESISTOR | | |
| | R5528 | NRSA02J-103X | MG RESISTOR | | |
| | R5529 | NRSA02J-103X | MG RESISTOR | | |
| | R5806 | NRSA02J-223X | M.G.RESISTOR | | |
| | R5807 | NRSA02J-223X | M.G.RESISTOR | | |
| | R5808 | NRSA02J-223X | M.G.RESISTOR | | |
| | R5809 | NRSA02J-223X | M.G.RESISTOR | | |
| | R5995 | NRSA02J-104X | MG RESISTOR | | |
| | R7005 | NRSA02J-822X | MG RESISTOR | | |
| | R7006 | NRSA02J-822X | MG RESISTOR | | |
| | R7031 | NRSA02J-331X | MG RESISTOR | | |

■ Electrical parts list (Micon board & regurator) Block No. 02

| △ | Item | Parts number | Parts name | Remarks | Area |
|---|-------|--------------|-------------|---------|------|
| | R7032 | NRSA02J-103X | MG RESISTOR | | |
| | R7033 | NRSA02J-102X | MG RESISTOR | | |
| | R7051 | NRSA02J-103X | MG RESISTOR | | |
| | R7052 | NRSA02J-103X | MG RESISTOR | | |
| | R7061 | NRSA02J-333X | MG RESISTOR | | |
| | R7062 | NRSA02J-473X | MG RESISTOR | | |
| | R7063 | NRSA02J-104X | MG RESISTOR | | |
| | R7081 | NRSA02J-104X | MG RESISTOR | | |
| | R7082 | NRSA02J-104X | MG RESISTOR | | |
| | R7083 | NRSA02J-104X | MG RESISTOR | | |
| | R7084 | NRSA02J-273X | MG RESISTOR | | |
| | R7429 | NRSA02J-913X | MG RESISTOR | | |
| | R7430 | NRSA02J-102X | MG RESISTOR | | |
| | R7528 | NRSA02J-223X | MG RESISTOR | | |
| | R7530 | NRSA02J-103X | MG RESISTOR | | |
| | R7614 | NRSA02J-103X | MG RESISTOR | | |
| | R7625 | NRSA02J-823X | MG RESISTOR | | |
| | R7628 | NRSA02J-823X | MG RESISTOR | | |
| | R7629 | NRSA02J-103X | MG RESISTOR | | |
| | R7630 | NRSA02J-563X | MG RESISTOR | | |
| | R7631 | NRSA02J-104X | MG RESISTOR | | |
| | R7632 | NRSA02J-103X | MG RESISTOR | | |
| | R7633 | NRSA02J-103X | MG RESISTOR | | |
| | R7634 | NRSA02J-103X | MG RESISTOR | | |
| | R7635 | NRSA02J-104X | MG RESISTOR | | |
| | R7639 | NRSA02J-222X | MG RESISTOR | | |
| | R7641 | NRSA02J-102X | MG RESISTOR | | |
| | R7642 | NRSA02J-102X | MG RESISTOR | | |
| | R7647 | NRSA02J-104X | MG RESISTOR | | |
| | R7648 | NRSA02J-394X | MG RESISTOR | | |
| | R7649 | NRSA02J-823X | MG RESISTOR | | |
| | R7651 | NRSA02J-473X | MG RESISTOR | | |
| | R7652 | NRSA02J-473X | MG RESISTOR | | |
| | R7655 | NRSA02J-102X | MG RESISTOR | | |
| | R7701 | NRSA02J-102X | MG RESISTOR | | |
| | R7702 | NRSA02J-102X | MG RESISTOR | | |
| | R7703 | NRSA02J-102X | MG RESISTOR | | |
| | R7704 | NRSA02J-102X | MG RESISTOR | | |
| | R7705 | NRSA02J-102X | MG RESISTOR | | |
| | R7711 | NRSA02J-222X | MG RESISTOR | | |
| | R7712 | NRSA02J-102X | MG RESISTOR | | |
| | R7713 | NRSA02J-222X | MG RESISTOR | | |
| | R7714 | NRSA02J-102X | MG RESISTOR | | |
| | R7715 | NRSA02J-102X | MG RESISTOR | | |
| | R7716 | NRSA02J-222X | MG RESISTOR | | |
| | R7717 | NRSA02J-472X | MG RESISTOR | | |
| | R7718 | NRSA02J-102X | MG RESISTOR | | |
| | R7719 | NRSA02J-102X | MG RESISTOR | | |
| | R7720 | NRSA02J-102X | MG RESISTOR | | |
| | R7721 | NRSA02J-102X | MG RESISTOR | | |
| | R7722 | NRSA02J-102X | MG RESISTOR | | |
| | R7723 | NRSA02J-222X | MG RESISTOR | | |
| | R7724 | NRSA02J-222X | MG RESISTOR | | |
| | R7725 | NRSA02J-222X | MG RESISTOR | | |
| | R7726 | NRSA02J-222X | MG RESISTOR | | |
| | R7728 | NRSA02J-222X | MG RESISTOR | | |
| | R7729 | NRSA02J-222X | MG RESISTOR | | |
| | R7730 | NRSA02J-222X | MG RESISTOR | | |
| | R7731 | NRSA02J-222X | MG RESISTOR | | |
| | R7732 | NRSA02J-222X | MG RESISTOR | | |
| | R7733 | NRSA02J-222X | MG RESISTOR | | |
| | R7734 | NRSA02J-222X | MG RESISTOR | | |
| | R7735 | NRSA02J-222X | MG RESISTOR | | |

| △ | Item | Parts number | Parts name | Remarks | Area |
|---|-------|---------------|--------------|--------------|------|
| | R7738 | NRSA02J-222X | MG RESISTOR | | |
| | R7739 | NRSA02J-222X | MG RESISTOR | | |
| | R7741 | NRSA02J-222X | MG RESISTOR | | |
| | R7742 | NRSA02J-222X | MG RESISTOR | | |
| | R7743 | NRSA02J-222X | MG RESISTOR | | |
| | R7744 | NRSA02J-222X | MG RESISTOR | | |
| | R7745 | NRSA02J-222X | MG RESISTOR | | |
| | R7746 | NRSA02J-222X | MG RESISTOR | | |
| | R7747 | NRSA02J-222X | MG RESISTOR | | |
| | R7748 | NRSA02J-153X | MG RESISTOR | | |
| | R7749 | NRSA02J-123X | MG RESISTOR | | |
| | R7750 | NRSA02J-222X | MG RESISTOR | | |
| | R7799 | NRSA02J-102X | MG RESISTOR | | |
| | R8001 | NRSA02J-102X | MG RESISTOR | | |
| | R8002 | NRSA02J-102X | MG RESISTOR | | |
| | R8003 | NRSA02J-122X | MG RESISTOR | | |
| | R8005 | NRSA02J-473X | MG RESISTOR | | |
| | R8011 | NRSA02J-102X | MG RESISTOR | | |
| | R8012 | NRSA02J-102X | MG RESISTOR | | |
| | R8013 | NRSA02J-122X | MG RESISTOR | | |
| | R8014 | NRSA02J-152X | MG RESISTOR | | |
| | R8015 | NRSA02J-222X | MG RESISTOR | | |
| | R8016 | NRSA02J-272X | MG RESISTOR | | |
| | R8017 | NRSA02J-392X | MG RESISTOR | | |
| | R8018 | NRSA02J-562X | MG RESISTOR | | |
| | R8019 | NRSA02J-103X | MG RESISTOR | | |
| | R8020 | NRSA02J-183X | MG RESISTOR | | |
| | R8021 | NRSA02J-433X | MG RESISTOR | | |
| | R8031 | NRSA02J-681X | MG RESISTOR | | |
| | S8001 | QSW0674-001Z | TACT SW | REVERSE MODE | |
| | S8002 | QSW0674-001Z | TACT SW | REC | |
| | S8003 | QSW0674-001Z | TACT SW | AUX | |
| | S8004 | QSW0674-001Z | TACT SW | POWER | |
| | S8011 | QSW0674-001Z | TACT SW | OPEN/CLOSE | |
| | S8012 | QSW0674-001Z | TACT SW | VOLUME - | |
| | S8013 | QSW0674-001Z | TACT SW | VOLUME + | |
| | S8014 | QSW0674-001Z | TACT SW | AHB PRO | |
| | S8015 | QSW0674-001Z | TACT SW | TIMER | |
| | S8016 | QSW0674-001Z | TACT SW | CLOCK | |
| | S8017 | QSW0674-001Z | TACT SW | CD | |
| | S8018 | QSW0674-001Z | TACT SW | TUNER | |
| | S8019 | QSW0674-001Z | TACT SW | TAPE | |
| | S8020 | QSW0674-001Z | TACT SW | DOWN | |
| | S8021 | QSW0674-001Z | TACT SW | STOP | |
| | S8022 | QSW0674-001Z | TACT SW | UP | |
| | S8101 | QSW0451-001 | DETECT SW | OPEN SWITCH | |
| | S8102 | QSW0451-001 | DETECT SW | CLOSE SWITCH | |
| | T 1 | QQR0793-001 | IFT | | |
| | TH511 | QAD0064-2R2Z | POSISTOR I.M | | |
| | TH512 | QAD0064-2R2Z | POSISTOR I.M | | |
| | TH513 | QAD0064-2R2Z | POSISTOR I.M | | |
| | TU 1 | QAU0161-001 | FRONT END | | |
| | VR531 | QVQ0112-B24 | V RESISTOR | | |
| | W 534 | QJK017-060700 | WIRE | | |
| | W 701 | QUM154-15Z4Z4 | FLAT WIRE | | |
| | X 1 | QAX0402-001 | CRYSTAL | | |
| | X5501 | QAX0410-001Z | CERA LOCK | MAIN CLOCK | |
| | X7001 | QAX0401-001 | CRYSTAL | SUB CLOCK | |
| | X7002 | QAX0410-001Z | CERA LOCK | MAIN CLOCK | |

■ Electrical parts list (CD board)

Block No. 03

| △ | Item | Parts number | Parts name | Remarks | Area |
|---|-------|----------------|-----------------|---------------|------|
| | CN601 | QGF1201F3-13 | CONNECTOR | | |
| | CN602 | QGF1201F3-10 | CONNECTOR | | |
| | CN603 | QGF1016F1-16 | FFC/FPC CONNE | | |
| | CN605 | QGA2001C1-06 | 6P PLUG ASSY | | |
| | CN650 | QGF1016F1-15 | 15FFC CONNECTOR | | |
| | C6001 | EEKC0JM-107ZJC | E CAPACITOR | | |
| | C6002 | EEKC1CM-106ZJC | E CAPACITOR | | |
| | C6003 | NDC21HJ-3R5X | C CAPACITOR | | |
| | C6005 | NCS21HJ-331X | C CAPACITOR | | |
| | C6007 | NCB21HK-222X | C CAPACITOR | | |
| | C6008 | EEKC1HM-105ZJC | E CAPACITOR | | |
| | C6009 | NCS21HJ-101X | C CAPACITOR | | |
| | C6010 | NCB21HK-273X | C CAPACITOR | | |
| | C6011 | NCB21HK-222X | C CAPACITOR | | |
| | C6012 | NCB21HK-103X | C CAPACITOR | | |
| | C6014 | NCB21EK-104X | C CAPACITOR | | |
| | C6015 | NCB21HK-223X | C CAPACITOR | | |
| | C6016 | NCB21HK-223X | C CAPACITOR | | |
| | C6017 | NCB21HK-223X | C CAPACITOR | | |
| | C6018 | NCB21HK-222X | C CAPACITOR | | |
| | C6019 | NCS21HJ-271X | C CAPACITOR | | |
| | C6020 | NCS21HJ-181X | C CAPACITOR | | |
| | C6021 | NCS21HJ-821X | C CAPACITOR | | |
| | C6022 | EEKC0JM-476ZJC | E CAPACITOR | | |
| | C6023 | NCB21EK-104X | C CAPACITOR | | |
| | C6028 | NCB21EK-473X | C CAPACITOR | | |
| | C6029 | EEKC0JM-107ZJC | E CAPACITOR | | |
| | C6031 | EEKC1AM-227ZJC | E CAPACITOR | | |
| | C6032 | EEKC0JM-107ZJC | NP E.CAPACITOR | | |
| | C6051 | NDC21HJ-120X | C CAPACITOR | | |
| | C6052 | NDC21HJ-150X | C CAPACITOR | | |
| | C6053 | NCB21HK-223X | C CAPACITOR | | |
| | C6055 | NCB21EK-473X | C CAPACITOR | | |
| | C6058 | NCS21HJ-6R0X | C CAPACITOR | | |
| | C6061 | NCS21HJ-471X | C CAPACITOR | | |
| | C6062 | NCB21HK-223X | C CAPACITOR | | |
| | C6063 | NCB21HK-223X | C CAPACITOR | | |
| | C6064 | NCB21HK-223X | C CAPACITOR | | |
| | C6065 | NCB21CK-334X | C CAPACITOR | | |
| | C6071 | NCB21HK-222X | C CAPACITOR | | |
| | C6072 | NCB21HK-222X | C CAPACITOR | | |
| | C6073 | EEKC1AM-227ZJC | E CAPACITOR | | |
| | C6074 | EEKC1AM-227ZJC | E CAPACITOR | | |
| | C6075 | NCB21HK-102X | C CAPACITOR | | |
| | C6076 | NCB21HK-102X | C CAPACITOR | | |
| | C6077 | NCB21HK-223X | C CAPACITOR | | |
| | C6080 | EEKC1AM-227ZJC | E CAPACITOR | | |
| | C6081 | EEKC1AM-227ZJC | E CAPACITOR | | |
| | C6083 | NCB21HK-223X | C CAPACITOR | | |
| | C6089 | NCB21HK-472X | C CAPACITOR | | |
| | C6090 | NCB21HK-153X | C CAPACITOR | | |
| | C6091 | QEQF1HM-105Z | NP E CAPACITOR | 1.0MF 20% 50V | |
| | C6092 | QEQF1HM-225Z | E CAPACITOR | 2.2MF 20% 50V | |
| | C6094 | NCB21HK-104X | C CAPACITOR | | |
| | C6096 | NCS21HJ-391X | C CAPACITOR | | |
| | C6097 | NCS21HJ-391X | C CAPACITOR | | |
| | C6098 | NCS21HJ-391X | C CAPACITOR | | |
| | C6099 | NCS21HJ-391X | C CAPACITOR | | |
| | C6154 | NCS21HJ-151X | C CAPACITOR | | |
| | C6156 | NCS21HJ-151X | C CAPACITOR | | |
| | C6157 | NCS21HJ-151X | C CAPACITOR | | |
| | C6158 | NCS21HJ-151X | C CAPACITOR | | |
| | C6527 | NCB21HK-223X | C CAPACITOR | | |

| △ | Item | Parts number | Parts name | Area |
|---|-------|----------------|---------------|------|
| | D6061 | 1SS355-X | DIODE | |
| | D6062 | 1SS355-X | DIODE | |
| | D6063 | 1SS355-X | DIODE | |
| | IC601 | AN8806SB-W | IC | |
| | IC602 | LA6541-X | IC | |
| | IC603 | MN35510AL | IC | |
| | K6051 | QQR0621-001Z | FERRITE BEADS | |
| | K6527 | QQR0779-001Z | INDUCTOR | |
| | K6571 | NQR0155-002X | INDUCTOR | |
| | K6572 | NQR0155-002X | INDUCTOR | |
| | L6076 | QQL231K-100Y | INDUCTOR | |
| | Q6001 | 2SA1037AK/R/-X | TRANSISTOR | |
| | Q6031 | 2SA952/LK/-T | TRANSISTOR | |
| | R6001 | NRSA02J-123X | MG RESISTOR | |
| | R6002 | NRSA02J-225X | MG RESISTOR | |
| | R6003 | NRSA02J-102X | MG RESISTOR | |
| | R6005 | NRSA02J-274X | MG RESISTOR | |
| | R6006 | NRSA02J-473X | MG RESISTOR | |
| | R6007 | NRSA02J-273X | MG RESISTOR | |
| | R6008 | NRSA02J-564X | MG RESISTOR | |
| | R6009 | NRSA02J-563X | MG RESISTOR | |
| | R6010 | NRSA02J-104X | MG RESISTOR | |
| | R6012 | NRSA02J-103X | MG RESISTOR | |
| | R6013 | NRSA02J-121X | MG RESISTOR | |
| | R6014 | NRSA02J-100X | MG RESISTOR | |
| | R6015 | NRSA02J-120X | MG RESISTOR | |
| | R6016 | NRSA02J-910X | MG RESISTOR | |
| | R6021 | NRSA02J-101X | MG RESISTOR | |
| | R6022 | NRSA02J-101X | MG RESISTOR | |
| | R6023 | NRSA02J-101X | MG RESISTOR | |
| | R6024 | NRSA02J-154X | MG RESISTOR | |
| | R6025 | NRSA02J-154X | MG RESISTOR | |
| | R6026 | NRSA02J-393X | MG RESISTOR | |
| | R6027 | NRSA02J-393X | MG RESISTOR | |
| | R6028 | NRSA02J-393X | MG RESISTOR | |
| | R6029 | NRSA02J-393X | MG RESISTOR | |
| | R6031 | NRSA02J-0R0X | MG RESISTOR | |
| | R6032 | NRSA02J-0R0X | MG RESISTOR | |
| | R6041 | NRSA02J-104X | M.G.RESISTOR | |
| | R6042 | NRSA02J-472X | MG RESISTOR | |
| | R6043 | NRSA02J-392X | M.G.RESISTOR | |
| | R6044 | NRSA02J-623X | M.G.RESISTOR | |
| | R6045 | NRSA02J-433X | MG RESISTOR | |
| | R6046 | NRSA02J-0R0X | MG RESISTOR | |
| | R6047 | NRSA02J-332X | MG RESISTOR | |
| | R6048 | NRSA02J-222X | MG RESISTOR | |
| | R6049 | NRSA02J-152X | MG RESISTOR | |
| | R6050 | NRSA02J-332X | MG RESISTOR | |
| | R6051 | NRSA02J-102X | MG RESISTOR | |
| | R6052 | NRSA02J-102X | MG RESISTOR | |
| | R6053 | NRSA02J-102X | MG RESISTOR | |
| | R6054 | NRSA02J-102X | MG RESISTOR | |
| | R6055 | NRSA02J-102X | MG RESISTOR | |
| | R6056 | NRSA02J-0R0X | MG RESISTOR | |
| | R6057 | NRSA02J-0R0X | MG RESISTOR | |
| | R6058 | NRSA02J-0R0X | MG RESISTOR | |
| | R6059 | NRSA02J-471X | MG RESISTOR | |
| | R6060 | NRSA02J-471X | MG RESISTOR | |
| | R6061 | NRSA02J-104X | MG RESISTOR | |
| | R6063 | NRSA02J-124X | MG RESISTOR | |
| | R6064 | NRSA02J-681X | MG RESISTOR | |
| | R6066 | NRSA02J-220X | MG RESISTOR | |
| | R6067 | NRSA02J-220X | MG RESISTOR | |

■ Electrical parts list (CD board)

Block No. 03

| △ | Item | Parts number | Parts name | Remarks | Area |
|---|-------|--------------|-------------|---------|------|
| | R6068 | NRSA02J-220X | MG RESISTOR | | |
| | R6069 | NRSA02J-155X | MG RESISTOR | | |
| | R6071 | NRSA02J-102X | MG RESISTOR | | |
| | R6072 | NRSA02J-102X | MG RESISTOR | | |
| | R6076 | NRSA02J-0R0X | MG RESISTOR | | |
| | R6080 | NRSA02J-0R0X | MG RESISTOR | | |
| | R6081 | NRSA02J-0R0X | MG RESISTOR | | |
| | R6082 | NRSA02J-392X | MG RESISTOR | | |
| | R6121 | NRSA02J-101X | MG RESISTOR | | |
| | R6124 | NRSA02J-0R0X | MG RESISTOR | | |
| | R6505 | NRSA02J-101X | MG RESISTOR | | |
| | R6506 | NRSA02J-101X | MG RESISTOR | | |
| | R6507 | NRSA02J-101X | MG RESISTOR | | |
| | R6520 | NRSA02J-0R0X | MG RESISTOR | | |
| | R6521 | NRSA02J-101X | MG RESISTOR | | |
| | R6522 | NRSA02J-101X | MG RESISTOR | | |
| | R6523 | NRSA02J-101X | MG RESISTOR | | |
| | R6524 | NRSA02J-102X | MG RESISTOR | | |
| | R6525 | NRSA02J-271X | MG RESISTOR | | |
| | R6526 | NRSA02J-271X | MG RESISTOR | | |
| | R6527 | NRSA02J-102X | MG RESISTOR | | |
| | R6530 | NRSA02J-431X | MG RESISTOR | | |
| | R6549 | NRSA02J-102X | MG RESISTOR | | |
| | R6550 | NRSA02J-102X | MG RESISTOR | | |
| | W 655 | WJP0022-001A | WIRE | | |
| | W 655 | WJP0021-001A | WIRE | | |
| | X6051 | QAX0413-001Z | CRYSTAL | | |

■ Electrical parts list (Tuner board)

Block No. 04

| △ | Item | Parts number | Parts name | Remarks | Area |
|---|-------|-----------------|-----------------|---------|------|
| | C 101 | NCF31EZ-104X | C CAPACITOR | | |
| | C 102 | NCF31EZ-104X | C CAPACITOR | | |
| | C 103 | NCF31EZ-104X | C CAPACITOR | | |
| | C 105 | NCF31EZ-104X | C CAPACITOR | | |
| | C 106 | NCF31EZ-104X | C CAPACITOR | | |
| | C 107 | NCF31EZ-104X | C CAPACITOR | | |
| | C 110 | NCF31EZ-104X | C CAPACITOR | | |
| | C 111 | NCF31EZ-104X | C CAPACITOR | | |
| | C 112 | NCF31EZ-104X | C CAPACITOR | | |
| | C 113 | NCF31EZ-104X | C CAPACITOR | | |
| | C 115 | NCF31EZ-104X | C CAPACITOR | | |
| | C 116 | NCF31EZ-104X | C CAPACITOR | | |
| | C 122 | NCS31HJ-150X | C CAPACITOR | | |
| | C 123 | NCF31EZ-104X | C CAPACITOR | | |
| | C 124 | NCF31EZ-104X | C CAPACITOR | | |
| | C 125 | NCF31EZ-104X | C CAPACITOR | | |
| | C 127 | NCF31EZ-104X | C CAPACITOR | | |
| | C 128 | NEA70JM-107X | E.CAPACITOR | | |
| | C 131 | NCF31EZ-104X | C CAPACITOR | | |
| | C 133 | NCF31EZ-104X | C CAPACITOR | | |
| | C 134 | NCF31EZ-104X | C CAPACITOR | | |
| | C 135 | NCF31EZ-104X | C CAPACITOR | | |
| | C 136 | NCB31HK-272X | C CAPACITOR | | |
| | C 141 | NCB31HK-472X | C CAPACITOR | | |
| | C 143 | NCB31HK-182X | C CAPACITOR | | |
| | C 144 | NCB31HK-182X | C CAPACITOR | | |
| | C 151 | NCF31EZ-104X | C CAPACITOR | | |
| | C 152 | NEA70JM-226X | E CAPACITOR | | |
| | C 153 | NCF31EZ-104X | C CAPACITOR | | |
| | C 154 | NEA70JM-107X | E.CAPACITOR | | |
| | C 155 | NCF31EZ-104X | C CAPACITOR | | |
| | C 156 | NEA70JM-226X | E CAPACITOR | | |
| | C 157 | NEA70JM-226X | E CAPACITOR | | |
| | C 158 | NCF31EZ-104X | C CAPACITOR | | |
| | C 159 | NCB31HK-102X | C CAPACITOR | | |
| | C 162 | NCS31HJ-101X | C.CAPACITOR | | |
| | C 168 | NCS31HJ-471X | C CAPACITOR | | |
| | C 170 | NCS31HJ-471X | C CAPACITOR | | |
| | C 181 | NCF31EZ-104X | C CAPACITOR | | |
| | C 191 | NCS31HJ-101X | C.CAPACITOR | | |
| | C 198 | NCF31EZ-104X | C CAPACITOR | | |
| | CN101 | QGF1016F2-15W | CONNECTOR C.M | | |
| | CN102 | QGA2001F2-12X | CONNECTOR C.M | | |
| | CN103 | QGA2001F2-06X | CONNECTOR C.M | | |
| | D 141 | UDZ4.7B-X | ZENER DIODE | | |
| | D 142 | 1SS355-X | DIODE | | |
| | IC101 | CL480-F1 | IC | | |
| | IC102 | MX23C10M12-586X | IC C.M | | |
| | IC103 | V53C16258HK35-X | IC C.M. | | |
| | IC104 | BU1424K | IC | | |
| | IC105 | BU2173F-X | IC | | |
| | IC106 | UPD6461GS-635-X | IC | | |
| | IC107 | PQ20VZ11-X | IC | | |
| | IC108 | TC7SH04FU-X | IC C.M | | |
| | IC111 | MN171601AK8J2 | IC | | |
| | IC112 | TC55257DFL85L-X | IC C.M | | |
| | IC113 | HD74HCT244FP-XE | IC C.M | | |
| | IC114 | HD74HCT245FP-XE | IC | | |
| | K 101 | NQR0227-004X | FERRITE BEADS | | |
| | K 103 | NQR0227-004X | FERRITE BEADS | | |
| | L 102 | NQL012K-2R7X | INDUCTOR | | |
| | Q 101 | DTA114EKA-X | DIGITAL.TRANSIS | | |
| | Q 141 | 2SC2412K/RS/-X | CHIP TRANSISTOR | | |

| △ | Item | Parts number | Parts name | Remarks | Area |
|---|-------|--------------|---------------|---------|------|
| | R 102 | NRSA63J-473X | MG RESISTOR | | |
| | R 103 | NRSA63J-103X | MG RESISTOR | | |
| | R 104 | NRSA63J-105X | MG RESISTOR | | |
| | R 107 | NRSA63J-122X | MG RESISTOR | | |
| | R 109 | NRSA63J-750X | MG RESISTOR | | |
| | R 111 | NRSA63J-182X | MG RESISTOR | | |
| | R 112 | NRSA63J-112X | MG RESISTOR | | |
| | R 113 | NRSA63J-102X | MG RESISTOR | | |
| | R 115 | NRSA63J-0R0X | MG RESISTOR | | |
| | R 118 | NRSA63J-392X | MG RESISTOR | | |
| | R 119 | NRSA63J-392X | MG RESISTOR | | |
| | R 121 | NRSA63J-102X | MG RESISTOR | | |
| | R 122 | NRSA63J-102X | MG RESISTOR | | |
| | R 123 | NRSA63J-102X | MG RESISTOR | | |
| | R 124 | NRSA63J-102X | MG RESISTOR | | |
| | R 125 | NRSA63J-102X | MG RESISTOR | | |
| | R 128 | NRSA63J-103X | MG RESISTOR | | |
| | R 129 | NRSA63J-103X | MG RESISTOR | | |
| | R 135 | NRSA63J-121X | MG RESISTOR | | |
| | R 141 | NRSA63J-750X | MG RESISTOR | | |
| | R 142 | NRSA63J-562X | MG RESISTOR | | |
| | R 147 | NRSA63J-471X | MG RESISTOR | | |
| | R 148 | NRSA63J-152X | MG RESISTOR | | |
| | R 149 | NRSA63J-152X | MG RESISTOR | | |
| | R 150 | NRSA63J-0R0X | MG RESISTOR | | |
| | R 155 | NRSA63J-271X | MG RESISTOR | | |
| | R 156 | NRSA63J-391X | MG RESISTOR | | |
| | R 157 | NRSA63J-0R0X | MG RESISTOR | | |
| | R 191 | NRSA63J-820X | MG RESISTOR | | |
| | R 192 | NRSA63J-820X | MG RESISTOR | | |
| | R 193 | NRSA63J-820X | MG RESISTOR | | |
| | R 194 | NRSA63J-0R0X | MG RESISTOR | | |
| | R 196 | NRSA63J-221X | MG RESISTOR | | |
| | R 197 | NRSA63J-0R0X | MG RESISTOR | | |
| | R 198 | NRSA63J-181X | MG RESISTOR | | |
| | TC101 | NAT3111-200X | TRIM.CAPA.I.M | | |
| | X 101 | NAX0150-001X | CRYSTAL | | |

■ Electrical parts list (Head amp board)

Block No. 05

| △ | Item | Parts number | Parts name | Remarks | Area |
|---|-------|---------------|--------------|----------------|------|
| | C 101 | NCS21HJ-821X | C CAPACITOR | 820PF 5% 50V | |
| | C 102 | NCS21HJ-221X | C CAPACITOR | 220PF 5% 50V | |
| | C 103 | QEKJ0JM-227Z | E CAPACITOR | 220MF 20% 6.3V | |
| | C 104 | NCB21HK-333X | C CAPACITOR | .033MF 10% 50V | |
| | C 105 | NCB21HK-222X | C CAPACITOR | 2200PF 10% 50V | |
| | C 106 | QEKJ1CM-106Z | E CAPACITOR | 10MF 20% 16V | |
| | C 107 | NCS21HJ-561X | C CAPACITOR | 560PF 5% 50V | |
| | C 108 | QEKJ1EM-475Z | E CAPACITOR | 4.7MF 20% 25V | |
| | C 109 | QEKJ1EM-475Z | E CAPACITOR | 4.7MF 20% 25V | |
| | C 110 | NCB21HK-682X | C.CAPA. C.M | 6800PF 10% 50V | |
| | C 111 | NCB21HK-122X | C CAPACITOR | 1200PF 10% 50V | |
| | C 112 | NCB21EK-683X | C CAPACITOR | .068MF 10% 25V | |
| | C 113 | NCB21HK-222X | C CAPACITOR | 2200PF 10% 50V | |
| | C 121 | NCS21HJ-331X | C CAPACITOR | 330PF 5% 50V | |
| | C 201 | NCS21HJ-821X | C CAPACITOR | 820PF 5% 50V | |
| | C 202 | NCS21HJ-221X | C CAPACITOR | 220PF 5% 50V | |
| | C 203 | QEKJ0JM-227Z | E CAPACITOR | 220MF 20% 6.3V | |
| | C 204 | NCB21HK-333X | C CAPACITOR | .033MF 10% 50V | |
| | C 205 | NCB21HK-222X | C CAPACITOR | 2200PF 10% 50V | |
| | C 206 | QEKJ1CM-106Z | E CAPACITOR | 10MF 20% 16V | |
| | C 207 | NCS21HJ-561X | C CAPACITOR | 560PF 5% 50V | |
| | C 208 | QEKJ1EM-475Z | E CAPACITOR | 4.7MF 20% 25V | |
| | C 209 | QEKJ1EM-475Z | E CAPACITOR | 4.7MF 20% 25V | |
| | C 210 | NCB21HK-682X | C.CAPA. C.M | 6800PF 10% 50V | |
| | C 211 | NCB21HK-122X | C CAPACITOR | 1200PF 10% 50V | |
| | C 212 | NCB21EK-683X | C CAPACITOR | .068MF 10% 25V | |
| | C 213 | NCB21HK-222X | C CAPACITOR | 2200PF 10% 50V | |
| | C 221 | NCS21HJ-331X | C CAPACITOR | 330PF 5% 50V | |
| | C 301 | QEKJ1AM-107Z | E CAPACITOR | 100MF 20% 10V | |
| | C 302 | NCB21HK-393X | C CAPACITOR | .039MF 10% 50V | |
| | C 303 | QEKJ0JM-227Z | E CAPACITOR | 220MF 20% 6.3V | |
| | C 304 | QEKJ1CM-226Z | E CAPACITOR | 22MF 20% 16V | |
| | C 305 | QEKJ1CM-226Z | E CAPACITOR | 22MF 20% 16V | |
| | C 306 | QEKJ1CM-476Z | E CAPACITOR | 47MF 20% 16V | |
| | C 307 | NCB21HK-103X | C CAPACITOR | .010MF 10% 50V | |
| | C 308 | NCB21HK-562X | C CAPACITOR | 5600PF 10% 50V | |
| | C 309 | NCB21HK-562X | C CAPACITOR | 5600PF 10% 50V | |
| | C 310 | NCB21HK-223X | C CAPACITOR | .022MF 10% 50V | |
| | C 311 | NCB21HK-682X | C.CAPA. C.M | 6800PF 10% 50V | |
| | C 313 | QEKJ1AM-107Z | E CAPACITOR | 100MF 20% 10V | |
| | C 314 | QCZ0205-155Z | ML C CAP I/M | 1.5MF | |
| | C 315 | QCZ0205-155Z | ML C CAP I/M | 1.5MF | |
| | C 316 | QFG32AJ-103Z | PP CAPACITOR | .010MF 5% 100V | |
| | C 318 | NCB21HK-103X | C CAPACITOR | .010MF 10% 50V | |
| | C 319 | QFG32AJ-821Z | TF CAPACITOR | 820PF 5% 100V | |
| | C 321 | NCB21HK-103X | C CAPACITOR | .010MF 10% 50V | |
| | C 322 | QFG32AJ-152Z | M CAPACITOR | 1500PF 5% 100V | |
| | C 331 | QEKJ1CM-476Z | E CAPACITOR | 47MF 20% 16V | |
| | C 351 | QEK41CM-106 | E CAPACITOR | 10MF 20% 16V | |
| | C 371 | QEKJ1EM-475Z | E CAPACITOR | 4.7MF 20% 25V | |
| | C 374 | QEKJ1AM-107Z | E CAPACITOR | MOTOR +B | |
| | C 375 | QEKJ1AM-107Z | E CAPACITOR | 100MF 20% 10V | |
| | C 376 | NCB21HK-103X | C CAPACITOR | .010MF 10% 50V | |
| | CN 31 | QGF1205F1-06 | CONNECTOR | PRI/HEAD | |
| | CN 32 | QGB2011M1-10 | PWB CONECTOR | PRI/MECHA | |
| | CN 33 | QGF1205F1-09 | CONNECTOR | PRI/MICON | |
| | CN 34 | QGF1205F1-10 | CONNECTOR | PRI/AMP | |
| | D 301 | MA152WA-X | DIODE | | |
| | D 309 | MA704A-X | S.K.DIODE | | |
| | D 375 | MA3051/M-X | ZENER DIODE | | |
| | FW 31 | QUM024-06A2Z3 | EF FLAT | | |
| | IC 31 | BA3126N | IC | HEAD SW | |
| | IC 32 | AN7317 | IC | PB&REC | |

| △ | Item | Parts number | Parts name | Remarks | Area |
|---|-------|----------------|----------------|----------------|------|
| | IC 33 | BU4094BCF-X | IC | | |
| | L 301 | QQR0620-001 | OSC COIL(BIAS) | | |
| | L 303 | QQL01BK-100Z | INDUCTOR | | |
| | Q 101 | DTC114TKA-X | TRANSISTOR | | |
| | Q 102 | DTC114TKA-X | TRANSISTOR | REC EQ CONT. | |
| | Q 201 | DTC114TKA-X | TRANSISTOR | | |
| | Q 202 | DTC114TKA-X | TRANSISTOR | REC EQ CONT. | |
| | Q 301 | DTA144EKA-X | TRANSISTOR | REC EQ CONT. | |
| | Q 302 | 2SC2001/K/-T | TR I/M | | |
| | Q 303 | 2SC2001/K/-T | TR I/M | | |
| | Q 304 | 2SC2001/LK/-T | TRANSISTOR | | |
| | Q 305 | 2SC2001/LK/-T | TRANSISTOR | | |
| | Q 306 | 2SC2412K/RS/-X | CHIP TR.C.M | | |
| | Q 307 | 2SC2412K/RS/-X | CHIP TR.C.M | | |
| | Q 308 | 2SC2412K/RS/-X | CHIP TR.C.M | | |
| | Q 309 | 2SC2412K/RS/-X | CHIP TR.C.M | | |
| | Q 321 | DTC144EKA-X | TRANSISTOR | | |
| | Q 323 | 2SC2412K/RS/-X | CHIP TR.C.M | | |
| | Q 371 | 2SA952/LK/-T | TRANSISTOR | MOTER+B | |
| | Q 372 | DTC124EKA-X | TRANSISTOR | | |
| | Q 375 | 2SB562/C/-T | TRANSISTOR | SOLENOID DRIVE | |
| | Q 376 | 2SC2412K/RS/-X | CHIP TR.C.M | | |
| | R 101 | NRSA02J-220X | MG RESISTOR | 22 5% 1/10W | |
| | R 102 | NRSA02J-182X | MG RESISTOR | 1.8K 5% 1/10W | |
| | R 103 | NRSA02J-242NY | MG RESISTOR | 2.4K 5% 1/10W | |
| | R 104 | NRSA02J-122X | MG RESISTOR | 1.2K 5% 1/10W | |
| | R 105 | NRSA02J-104X | MG RESISTOR | 100K 5% 1/10W | |
| | R 106 | NRSA02J-332X | MG RESISTOR | 3.3K 5% 1/10W | |
| | R 107 | NRSA02J-123X | RES. C.M | 12K 5% 1/10W | |
| | R 108 | NRSA02J-562X | MG RESISTOR | 5.6K 5% 1/10W | |
| | R 109 | NRSA02J-122X | MG RESISTOR | 1.2K 5% 1/10W | |
| | R 110 | NRSA02J-472X | RES. C.M | 4.7K 5% 1/10W | |
| | R 111 | NRSA02J-333X | MG RESISTOR | 33K 5% 1/10W | |
| | R 112 | NRSA02J-222X | MG RESISTOR | 2.2K 5% 1/10W | |
| | R 113 | NRSA02J-472X | RES. C.M | 4.7K 5% 1/10W | |
| | R 114 | NRSA02J-272X | MG RESISTOR | 2.7K 5% 1/10W | |
| | R 116 | NRSA02J-102X | RES. C.M | 1.0K 5% 1/10W | |
| | R 121 | NRSA02J-102X | RES. C.M | 1.0K 5% 1/10W | |
| | R 201 | NRSA02J-220X | MG RESISTOR | 22 5% 1/10W | |
| | R 202 | NRSA02J-182X | MG RESISTOR | 1.8K 5% 1/10W | |
| | R 203 | NRSA02J-242NY | MG RESISTOR | 2.4K 5% 1/10W | |
| | R 204 | NRSA02J-122X | MG RESISTOR | 1.2K 5% 1/10W | |
| | R 205 | NRSA02J-104X | MG RESISTOR | 100K 5% 1/10W | |
| | R 206 | NRSA02J-332X | MG RESISTOR | 3.3K 5% 1/10W | |
| | R 207 | NRSA02J-123X | RES. C.M | 12K 5% 1/10W | |
| | R 208 | NRSA02J-562X | MG RESISTOR | 5.6K 5% 1/10W | |
| | R 209 | NRSA02J-122X | MG RESISTOR | 1.2K 5% 1/10W | |
| | R 210 | NRSA02J-472X | RES. C.M | 4.7K 5% 1/10W | |
| | R 211 | NRSA02J-333X | MG RESISTOR | 33K 5% 1/10W | |
| | R 212 | NRSA02J-222X | MG RESISTOR | 2.2K 5% 1/10W | |
| | R 213 | NRSA02J-472X | RES. C.M | 4.7K 5% 1/10W | |
| | R 214 | NRSA02J-272X | MG RESISTOR | 2.7K 5% 1/10W | |
| | R 216 | NRSA02J-102X | RES. C.M | 1.0K 5% 1/10W | |
| | R 221 | NRSA02J-102X | RES. C.M | 1.0K 5% 1/10W | |
| | R 301 | NRS181J-221X | MG RESISTOR | 220 5% 1/8W | |
| | R 303 | NRSA02J-393X | MG RESISTOR | 39K 5% 1/10W | |
| | R 304 | NRS181J-101X | MG RESISTOR | 100 5% 1/8W | |
| | R 305 | NRSA02J-222X | MG RESISTOR | 2.2K 5% 1/10W | |
| | R 306 | NRSA02J-222X | MG RESISTOR | 2.2K 5% 1/10W | |
| | R 310 | NRS181J-560X | MG RESISTOR | 56 5% 1/8W | |
| | R 311 | NRS181J-560X | MG RESISTOR | 56 5% 1/8W | |
| | R 313 | NRSA02J-3R3NY | RES. C.M | 3.3 5% 1/10W | |
| | R 314 | NRSA02J-223X | RES. C.M | 22K 5% 1/10W | |

■ Electrical parts list(Head amp board)

Block No. 05

| △ | Item | Parts number | Parts name | Remarks | Area |
|---|-------|--------------|-----------------|----------------|------|
| | R 315 | NRSA02J-100X | MG RESISTOR | 10 5% 1/10W | |
| | R 316 | NRSA02J-223X | RES. C.M | 22K 5% 1/10W | |
| | R 317 | NRSA02J-100X | MG RESISTOR | 10 5% 1/10W | |
| | R 319 | NRSA02J-152X | MG RESISTOR | 1.5K 5% 1/10W | |
| | R 322 | NRSA02J-152X | MG RESISTOR | 1.5K 5% 1/10W | |
| | R 327 | NRSA02J-474X | MG RESISTOR | 470K 5% 1/10W | |
| | R 332 | NRSA02J-123X | RES. C.M | 12K 5% 1/10W | |
| | R 333 | NRSA02J-123X | RES. C.M | 12K 5% 1/10W | |
| | R 335 | NRSA02J-152X | MG RESISTOR | 1.5K 5% 1/10W | |
| | R 336 | NRSA02J-472X | RES. C.M | 4.7K 5% 1/10W | |
| | R 337 | NRSA02J-332X | MG RESISTOR | 3.3K 5% 1/10W | |
| | R 338 | NRSA02J-392X | MG RESISTOR | 3.9K 5% 1/10W | |
| | R 339 | NRSA02J-222X | MG RESISTOR | 2.2K 5% 1/10W | |
| | R 340 | NRS181J-391X | MG RESISTOR | 390 5% 1/8W | |
| | R 341 | NRSA02J-123X | RES. C.M | 12K 5% 1/10W | |
| | R 342 | NRSA02J-203X | MG RESISTOR | 20K 5% 1/10W | |
| | R 343 | NRSA02J-183X | MG RESISTOR | 18K 5% 1/10W | |
| | R 351 | NRSA02J-683X | MG RESISTOR | 68K 5% 1/10W | |
| | R 352 | NRSA02J-912X | RES. C.M | 9.1K 5% 1/10W | |
| | R 371 | NRSA02J-123X | RES. C.M | 12K 5% 1/10W | |
| | R 372 | NRSA02J-102X | RES. C.M | 1.0K 5% 1/10W | |
| | R 375 | NRSA02J-151X | MG RESISTOR | 150 5% 1/10W | |
| | R 376 | NRSA02J-472X | RES. C.M | 4.7K 5% 1/10W | |
| | VR 31 | QVP0008-503Z | SEMI V RESISTOR | BIAS ADJ | |
| | VR 32 | QVP0008-503Z | SEMI V RESISTOR | BIAS ADJ | |
| | VR 37 | QVP0008-103Z | SEMI V RESISTOR | TAPE SPEED ADJ | |

■ Electrical parts list

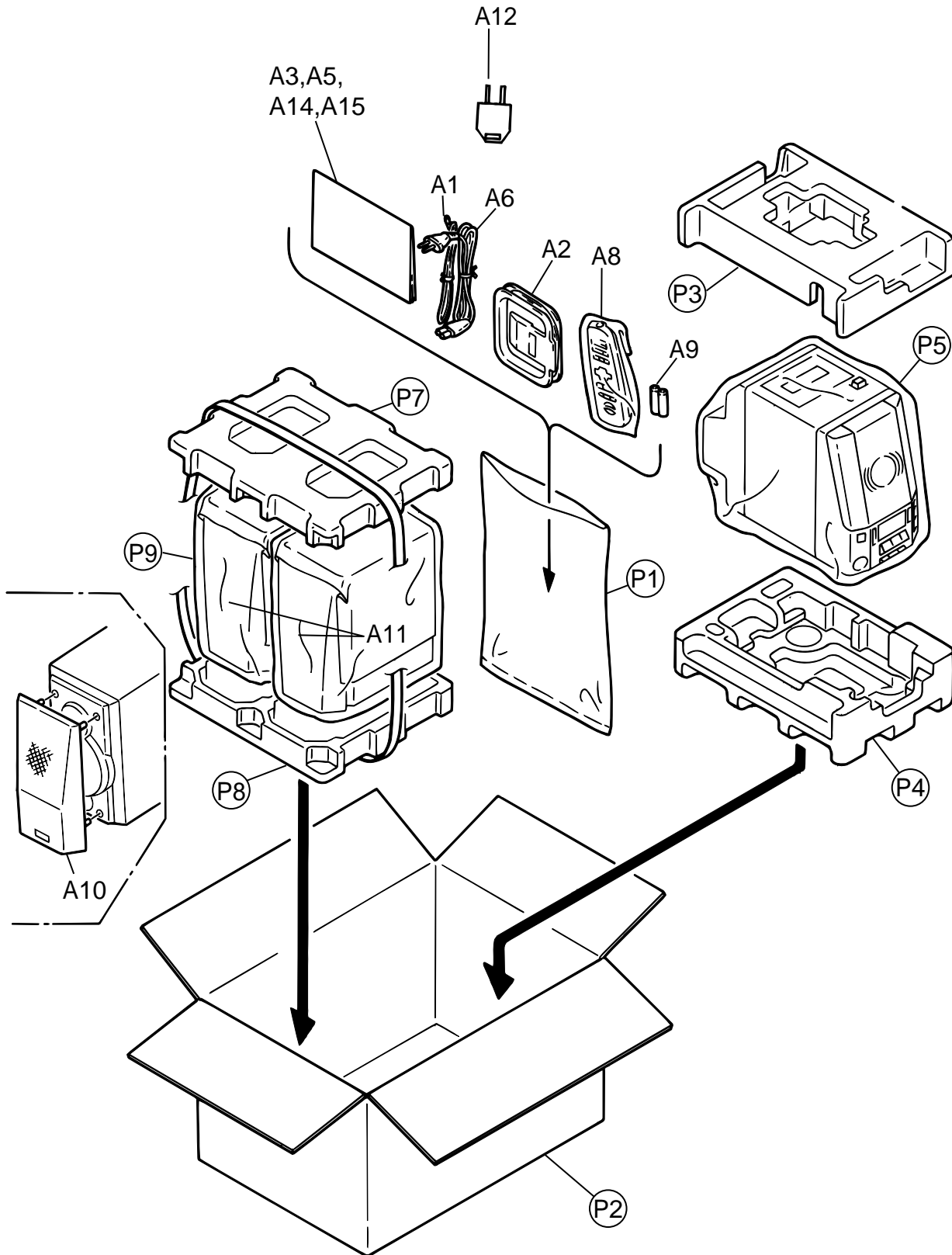
Block No. 06

| △ | Item | Parts number | Parts name | Remarks | Area |
|---|------|---------------|-----------------|---------|------|
| | CN 1 | QGB2011L1-10 | 10P PLUG ASSY | | |
| | D 1 | 1SR139-400-T2 | SI DIODE | | |
| | IC 1 | SG-105F3-BB,C | PHOTO SENSER | | |
| | P 1 | QNZ0104-001 | POST PIN | | |
| | SW 1 | QSW0832-001 | CASSETTE SWITCH | R.REC | |
| | SW 2 | QSW0832-001 | CASSETTE SWITCH | TAPE | |
| | SW 4 | QSW0832-001 | CASSETTE SWITCH | 70U | |
| | SW 5 | QSW0832-001 | CASSETTE SWITCH | F.REC | |
| | SW 6 | QSW0859-001 | SWITCH | | |

Packing materials and accessories parts list

Block No. M 3 M M

Block No. M 4 M M



■ Parts list (Packing)

Block No. M3MM

| △ | Item | Parts number | Parts name | Q'ty | Description | Area |
|---|------|--------------|-----------------|------|-------------|------|
| | P 1 | QPA02503503P | POLY BAG | 1 | | |
| | P 2 | GV20062-001A | CARTON | 1 | UX-V50V | UN |
| | | GV20097-001A | CARTON | 1 | UX-V50GN | UF |
| | | GV20062-002A | CARTON | 1 | UX-V50GN | UN |
| | P 3 | GV10038-001A | CUSHION(TOP) | 1 | | |
| | P 4 | GV10039-001A | CUSHION(BOTTOM) | 1 | | |
| | P 5 | GV30126-001A | POLYBAG | 1 | | |
| | P 7 | 8000041201 | CUSHION(TOP) | 1 | FOR SPEAKER | |
| | P 8 | 8000041211 | CUSHION(BOTTOM) | 1 | FOR SPEAKER | |
| | P 9 | 8500037701 | POLY BAG | 1 | FOR SPEAKER | |

■ Parts list (Accessories)

Block No. M4MM

| △ | Item | Parts number | Parts name | Q'ty | Description | Area |
|---|------|----------------|-----------------|------|---------------------|------|
| | A 1 | EWP503-001C | ANT.WIRE | 1 | | UF |
| | | EWP503-001 | ANT.WIRE | 1 | | UN |
| | A 2 | QAL0014-001 | AM LOOP ANT | 1 | | |
| | A 3 | GVT0034-003C | INST.BOOK | 1 | V50GN (ENG CHI ARA) | UN |
| | | GVT0034-003B | INST.BOOK | 1 | V50V (ENG CHI ARA) | UN |
| | | GVT0034-011A | INST.BOOK | 1 | V50GN (CHI) | UF |
| | A 5 | QAM0216-001 | SIGNAL CORD | 1 | | |
| △ | A 6 | QMPL060-183-JD | POWER CORD | 1 | | UN |
| △ | | QMPS020-183-JC | POWER CODE | 1 | | UF |
| | A 8 | RM-SUXV50V | REMOCON | 1 | | |
| | A 9 | ----- | BATTERY | 2 | | |
| | A 10 | 9908700221 | SARAN BOARD | 1 | UX-V50GN | |
| | | 9908700211 | SARAN BOARD | 1 | UX-V50V | |
| | A 11 | UXV50VK-SPBOX | SPEAKER BOX | 2 | UX-V50V | |
| | | UXV50VG-SPBOX | SPEAKER BOX | 2 | UX-V50GN | |
| △ | A 12 | QAM0112-001 | AC PLUG ADAPTER | 1 | | UN |
| | A 14 | BT-59009-1 | SERVICE NETWORK | 1 | | UF |
| | A 15 | BT-59007-2 | WARRANTY CARD | 1 | | UF |

<<MEMO>>